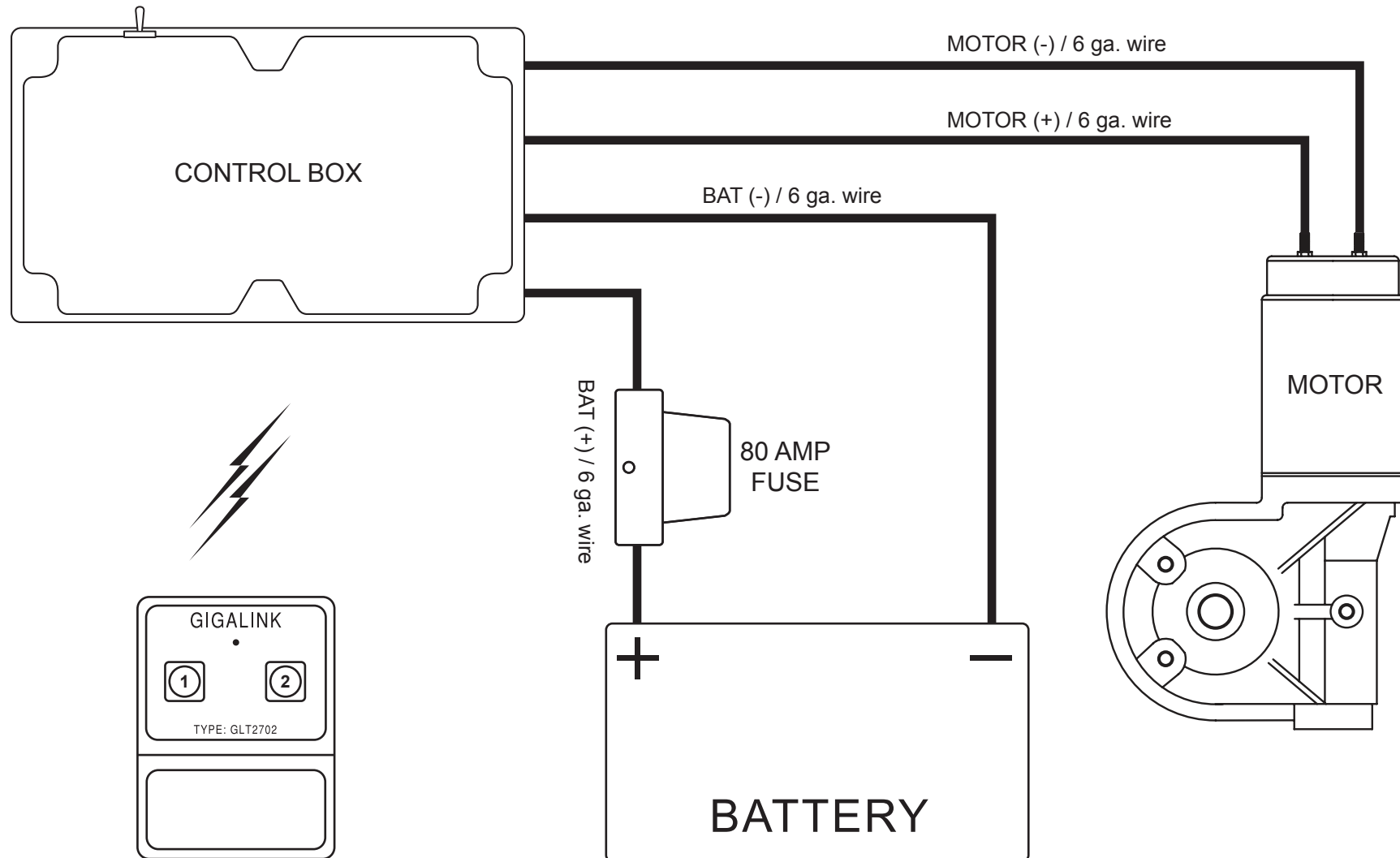


# Smart Switch with External / Remote - 24 volt (501-9950)

Wiring Instructions

BAB 7-31-06



**Smart**  **Switch**™

607-0092

**PULLTARPS**  
ADVANCED TARPING TECHNOLOGIES MFG.®

1404 N. Marshall Ave, El Cajon, CA 92020  
For Technical Assistance  
Call Toll Free: (800) 368-3075

### Step. 1

Run the 6 ga. wire to both locations (motor & battery box) and attach to truck body as shown in Fig. 1.

**Note:** The wire must go beyond the pivot point.

**Caution:** Make sure wire does not get pinched at the pivot.

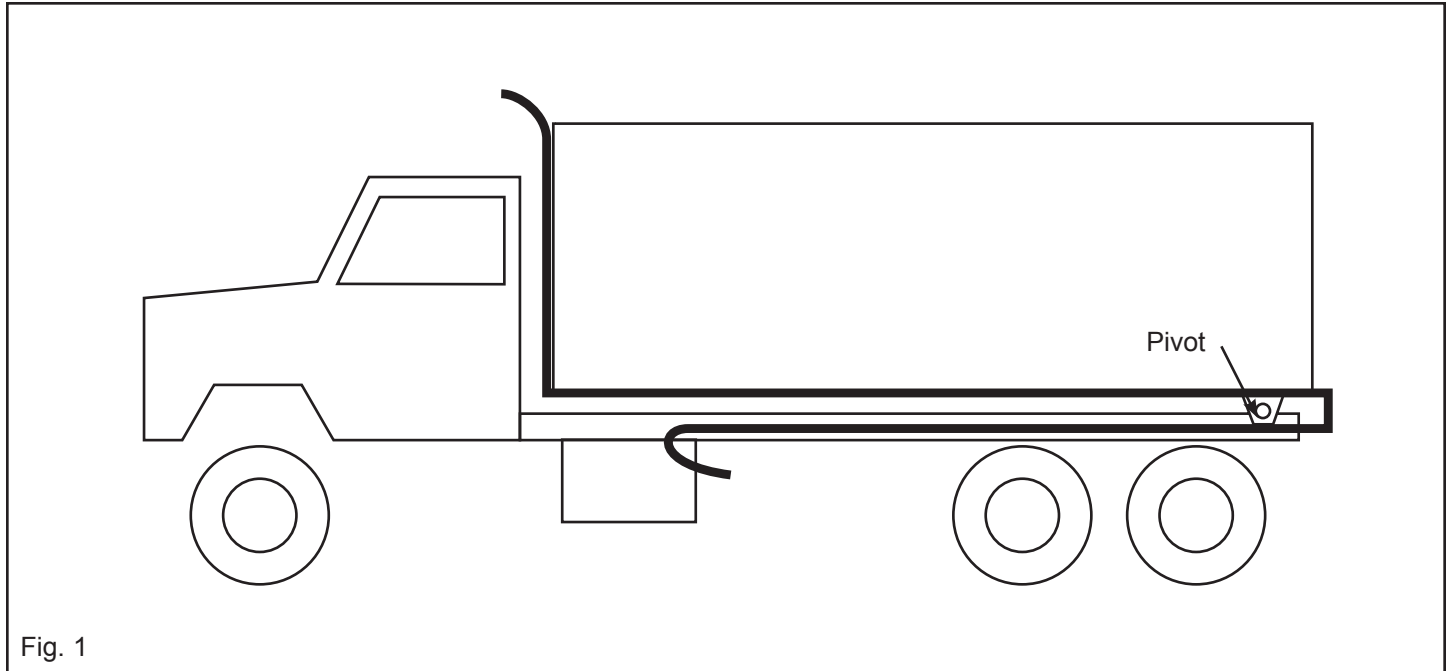


Fig. 1

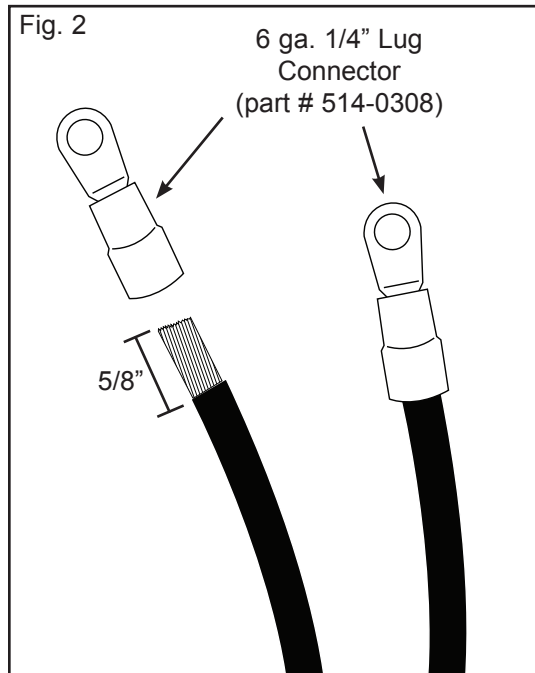


Fig. 2

### Step 2. Attaching The Connectors (Motor)

- Split the molded 6 ga. wire approximately 4" and strip the ends about 5/8" down.
- Attach connectors (part # 514-0308) and crimp (Fig. 2).
- Attach black wire to Terminal # 1 on motor (Fig. 3).
- Attach red striped wire to Terminal # 2 on motor (Fig. 3).

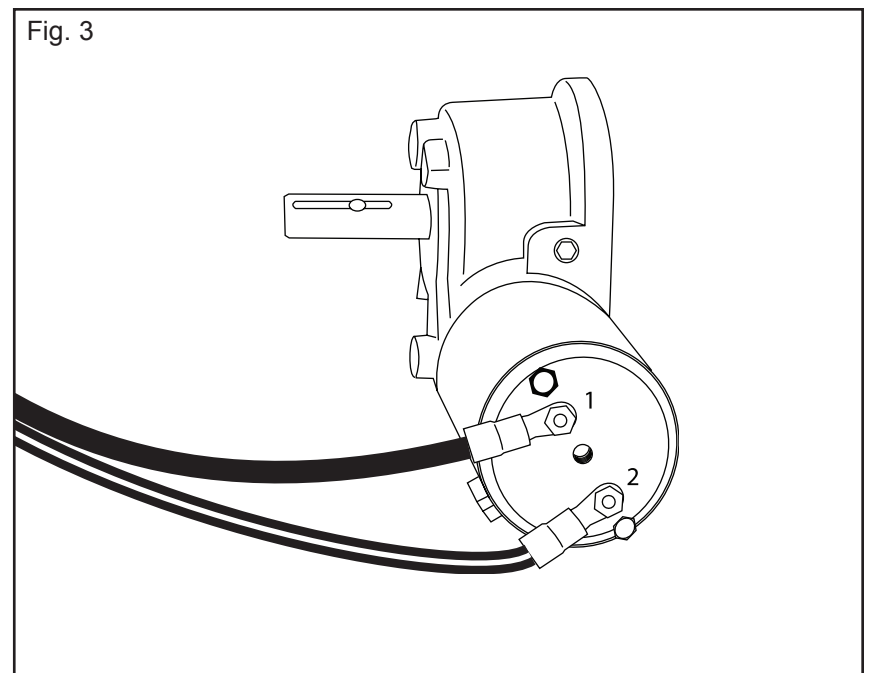
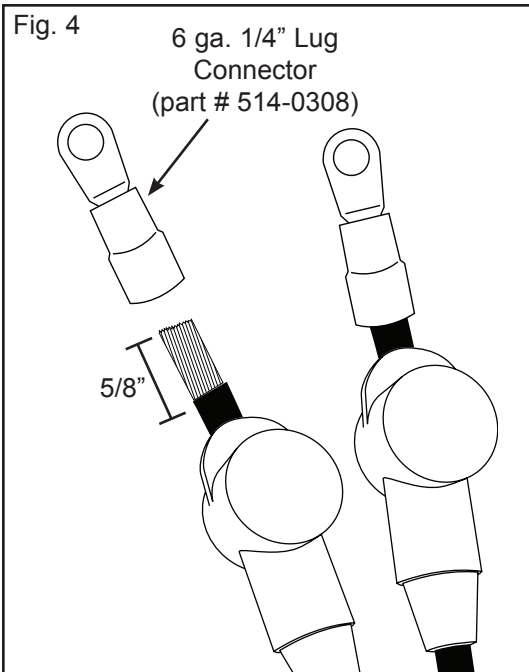


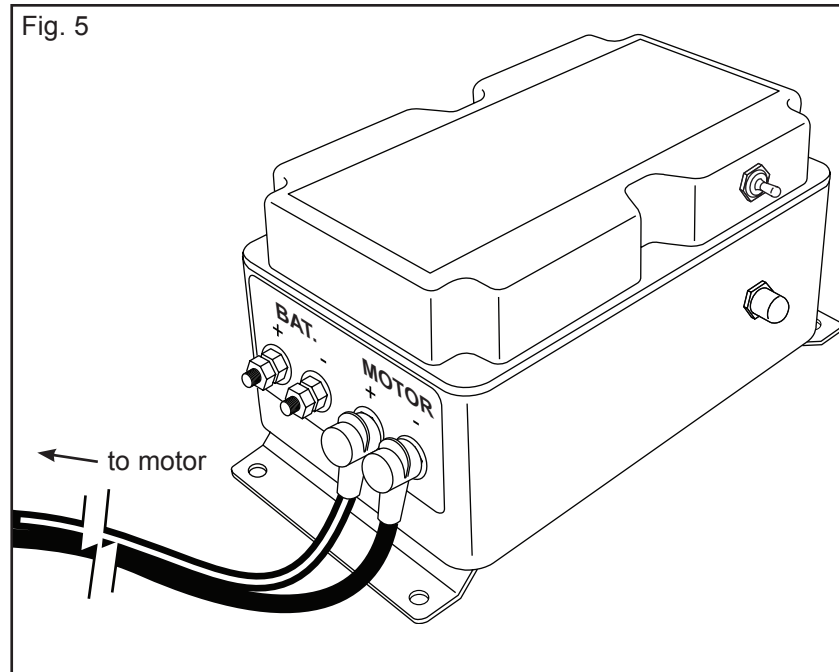
Fig. 3



### Step 3.

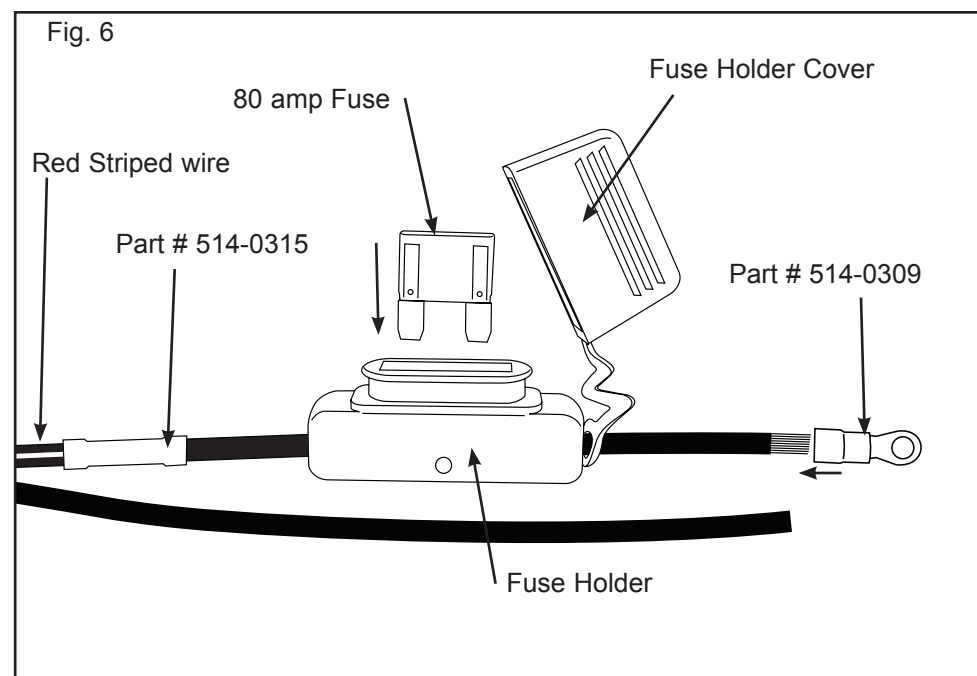
- A. Mount the Control Box near the battery.
- B. Split the 6 ga. wire at the Control Box about 4" back and slip on rubber boots - Red Boot (part # 514-0319) on red striped wire and Black Boot (part # 514-0317) on black wire (Fig. 4 & 5).
- C. Strip wire about 5/8" and attach connectors (part # 514-0308) (Fig. 4). Crimp Connectors.
- D. Attach Red Striped wire to Motor (+) and Black wire to Motor (-) on Control Box (Fig. 5).

Do not over tighten nuts on connections!



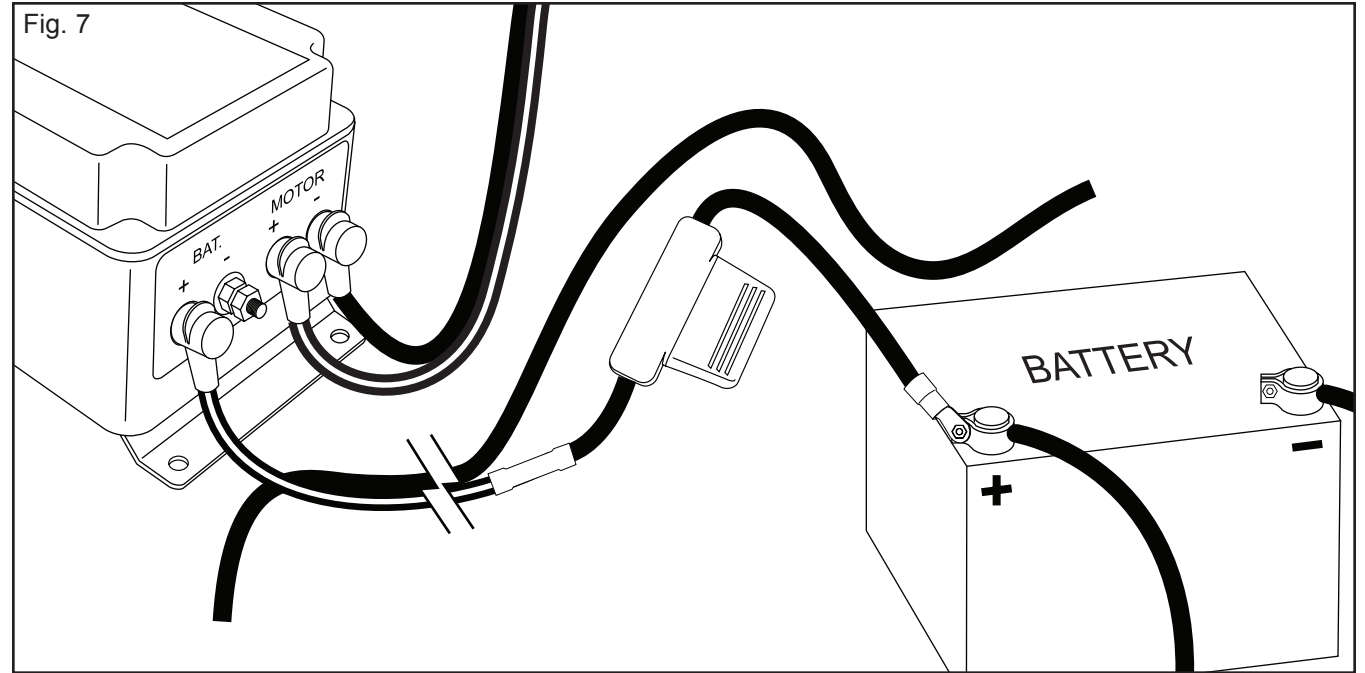
### Step 4. Wiring the Fuse

- A. Cut a length of 6ga. duplex wire long enough to run from the battery to the Control Box.
- B. Split the duplex wire at the battery.
- C. Strip one end of the Red Striped wire about 5/8", and strip one end of the fuse holder wire about 5/8". Attach the 6 ga. Butt Connector (part # 514-0315) and crimp.
- D. Strip the other end of the fuse holder wire about 5/8" and attach the 6 ga. 3/8" terminal end (part # 514-0309) or the 6 ga. 1/4" terminal end (part # 514-0308), depending on the size of the terminal at the battery. Attach to positive (+) terminal on battery.
- E. Install 80 amp fuse in fuse holder.
- F. Push the fuse holder cover over the fuse.



### Step 5. Wiring the Battery

- A. Attach the red striped 6 ga. wire to BAT (+) at the control box. Slide Red Terminal Boot over the end and connect using the Lug Connector (part # 514-0308) as done in step 3.

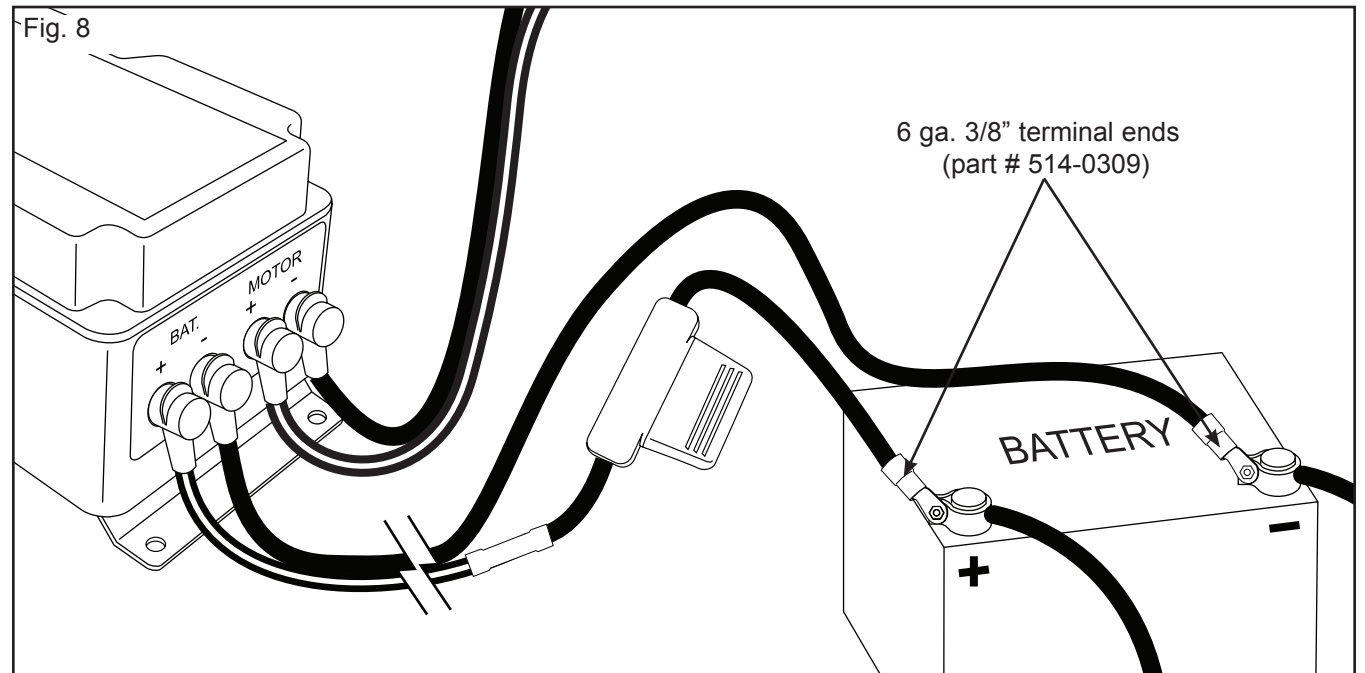


### Step 6. Wiring the Battery

- A. Connect the black 6 ga. wire to the negative terminal on the battery using a 6 ga. 3/8" terminal end (part # 514-0309) or 1/4" terminal end (part # 514-0309), depending on the size of the terminal at the battery. (Fig. 8).
- B. Attach the other end of the black 6 ga. wire to BAT (-) at the control box as done in step 3. Slide Black Terminal Boot over the end and connect using the Lug Connector (part # 514-0308) as shown in Fig. 8.

**Warning:** You must attach the black 6 ga. wire to the battery first, before attaching it to the box.

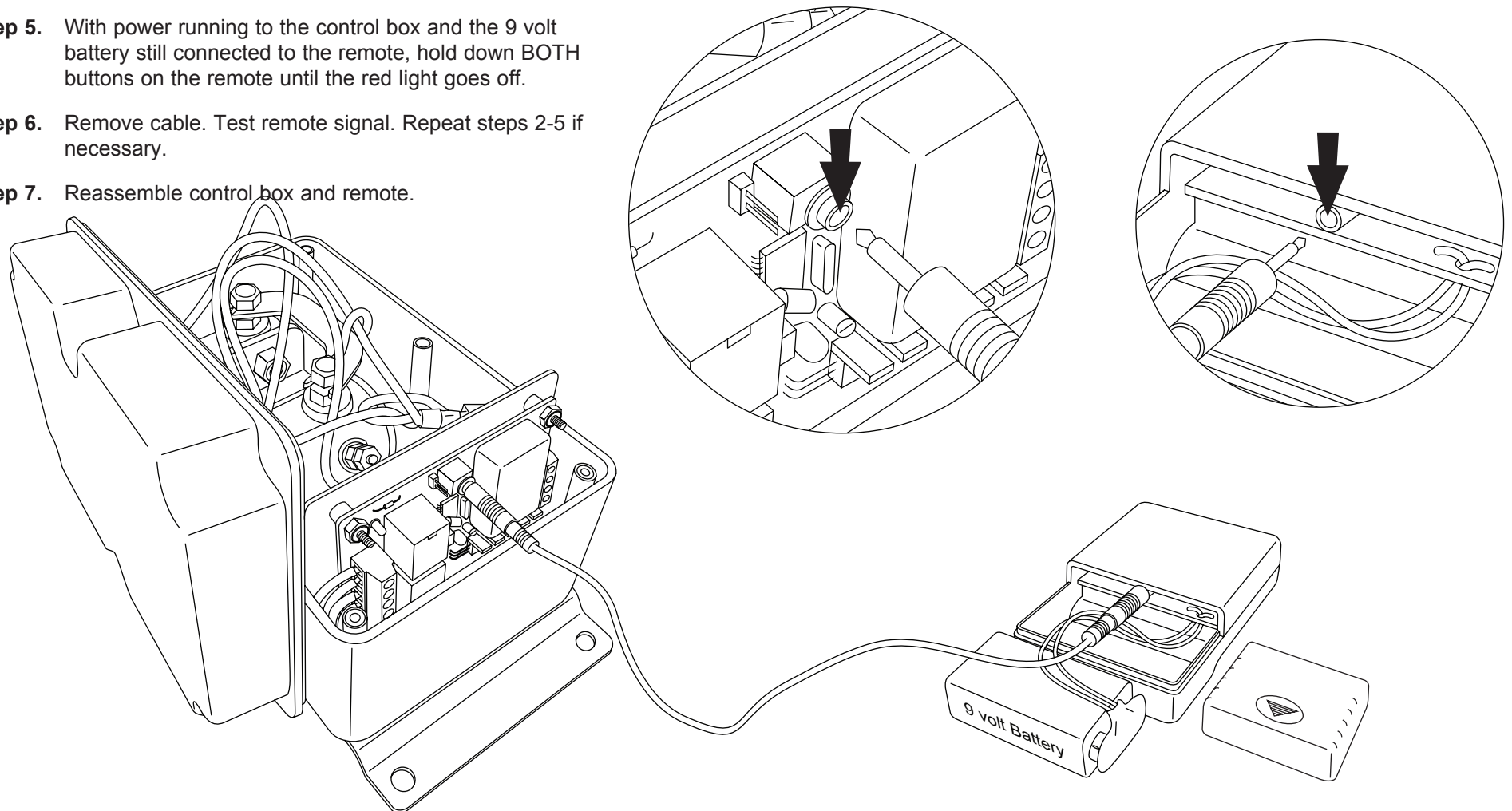
**Note:** If the system operates backwards then reverse the 6 ga. wires on the motor.



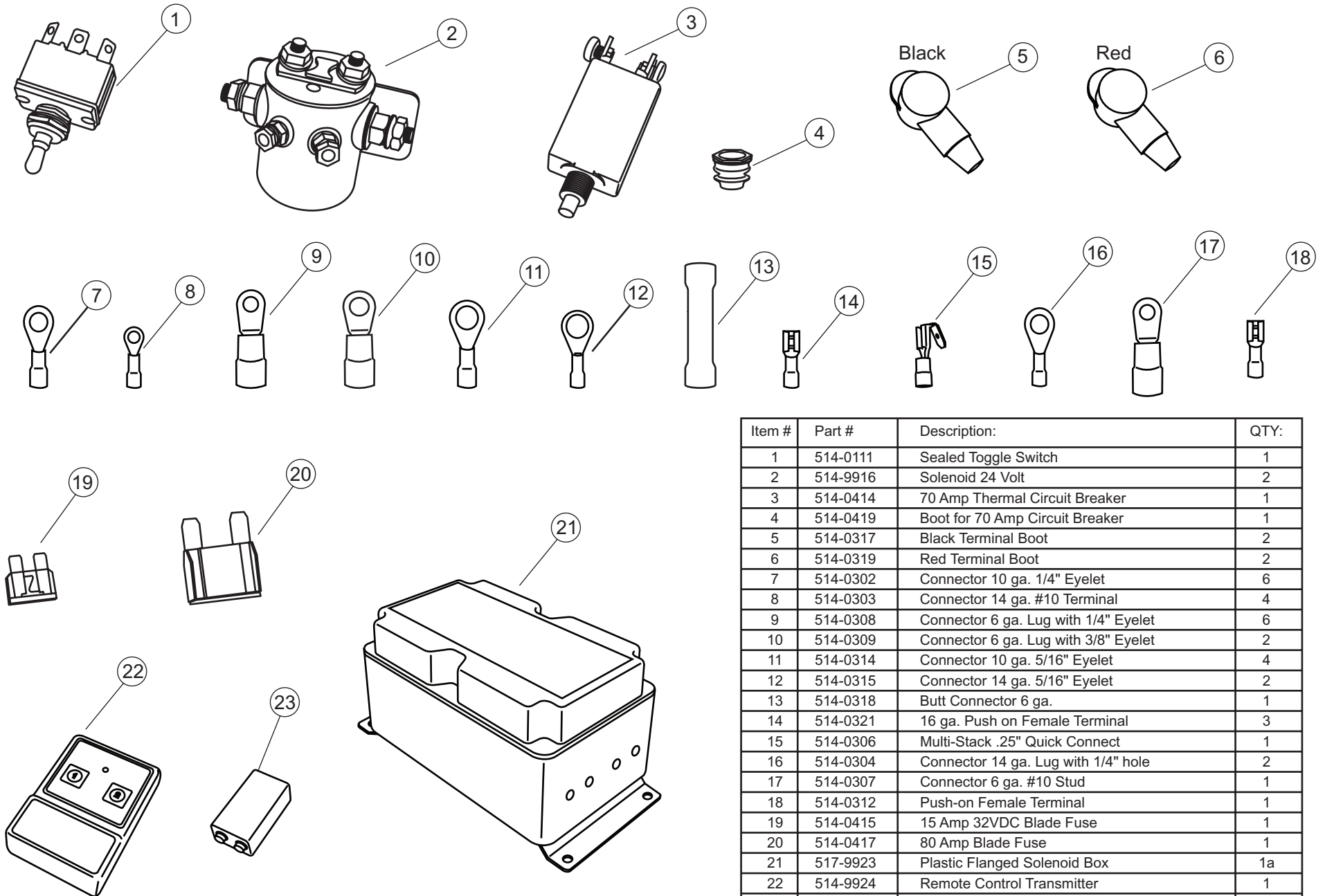
# Resetting The Remote Signal

**Note:** The signal comes already synchronized. This process only needs to be done if you have lost or damaged your remote control and a replacement has been purchased.

- Step 1.** Remove the battery cover from the remote control.
- Step 2.** Insert the cable into the remote as shown.
- Step 3.** Remove the cover from the control box.
- Step 4.** Insert the other end of the cable into the circuit board as shown.
- Step 5.** With power running to the control box and the 9 volt battery still connected to the remote, hold down BOTH buttons on the remote until the red light goes off.
- Step 6.** Remove cable. Test remote signal. Repeat steps 2-5 if necessary.
- Step 7.** Reassemble control box and remote.



# Smart Switch with External / Remote - 24 volt (501-9950)



Item #	Part #	Description:	QTY:
1	514-0111	Sealed Toggle Switch	1
2	514-9916	Solenoid 24 Volt	2
3	514-0414	70 Amp Thermal Circuit Breaker	1
4	514-0419	Boot for 70 Amp Circuit Breaker	1
5	514-0317	Black Terminal Boot	2
6	514-0319	Red Terminal Boot	2
7	514-0302	Connector 10 ga. 1/4" Eyelet	6
8	514-0303	Connector 14 ga. #10 Terminal	4
9	514-0308	Connector 6 ga. Lug with 1/4" Eyelet	6
10	514-0309	Connector 6 ga. Lug with 3/8" Eyelet	2
11	514-0314	Connector 10 ga. 5/16" Eyelet	4
12	514-0315	Connector 14 ga. 5/16" Eyelet	2
13	514-0318	Butt Connector 6 ga.	1
14	514-0321	16 ga. Push on Female Terminal	3
15	514-0306	Multi-Stack .25" Quick Connect	1
16	514-0304	Connector 14 ga. Lug with 1/4" hole	2
17	514-0307	Connector 6 ga. #10 Stud	1
18	514-0312	Push-on Female Terminal	1
19	514-0415	15 Amp 32VDC Blade Fuse	1
20	514-0417	80 Amp Blade Fuse	1
21	517-9923	Plastic Flanged Solenoid Box	1a
22	514-9924	Remote Control Transmitter	1
23	517-0920	9 volt Battery (for Remote Control)	1