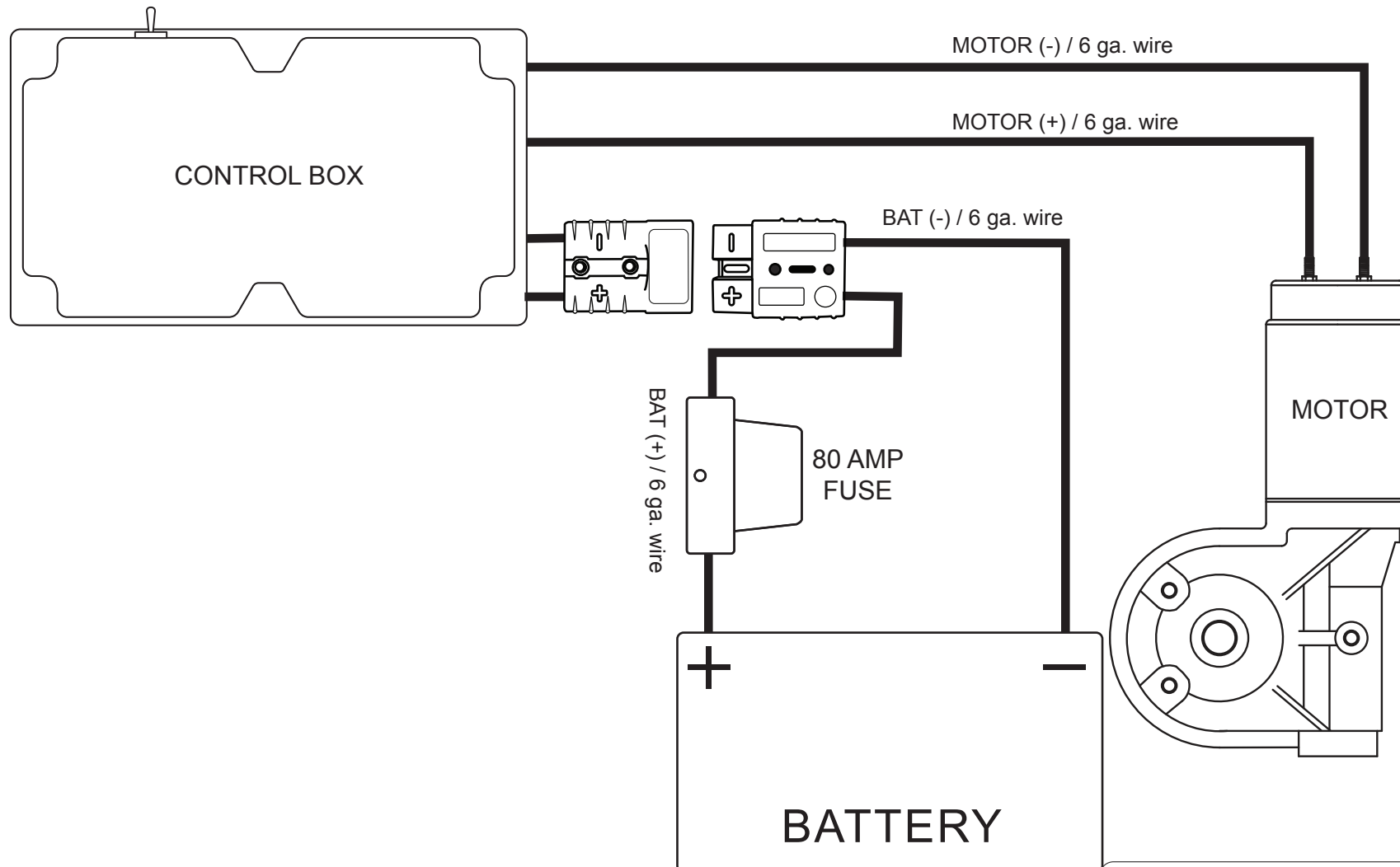


Smart Switch with External Switch - 24 volt (501-9949)

Wiring Instructions

BAB 6/9/09



Smart  **Switch**™

607-0091

PULLTARPS
ADVANCED TARPING TECHNOLOGIES MFG.®

1404 N. Marshall Ave, El Cajon, CA 92020
For Technical Assistance
Call Toll Free: (800) 368-3075

Step. 1

Run the 6 ga. wire to both locations (motor & battery box) and attach to truck body as shown in Fig. 1.

Note: The wire must go beyond the pivot point.

Caution: Make sure wire does not get pinched at the pivot.

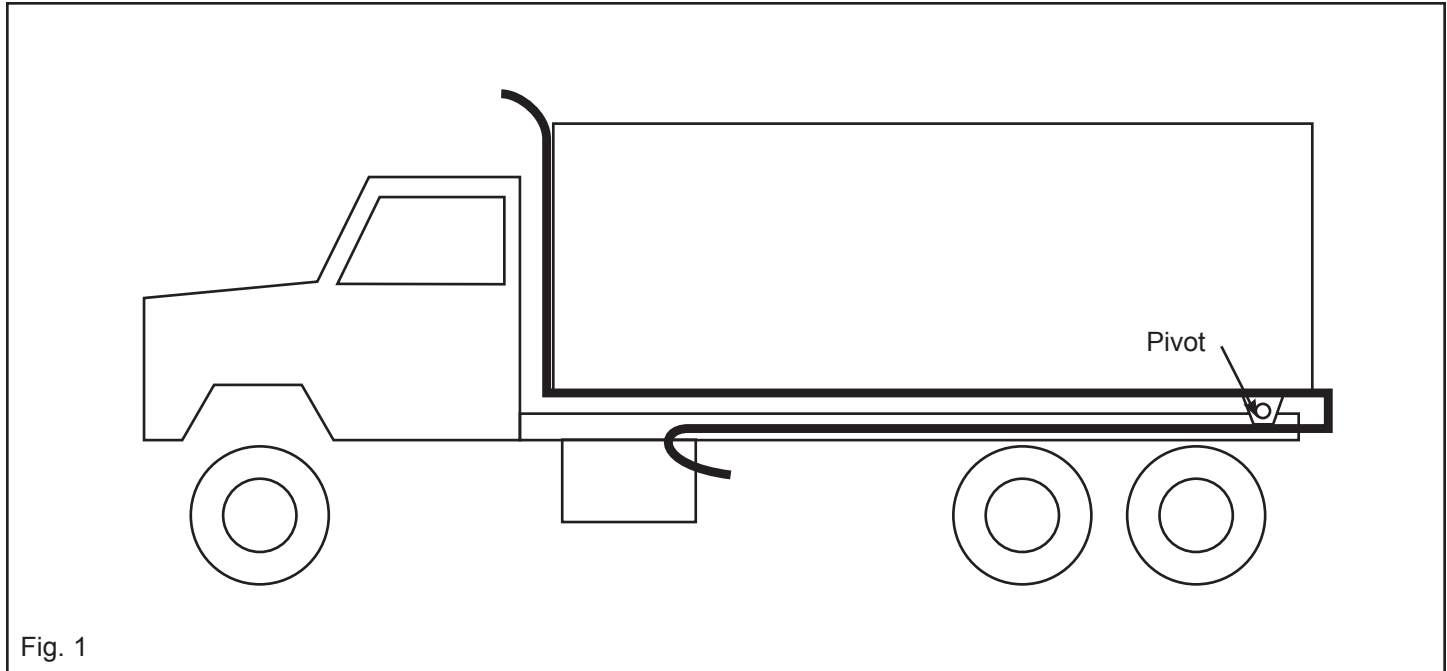


Fig. 1

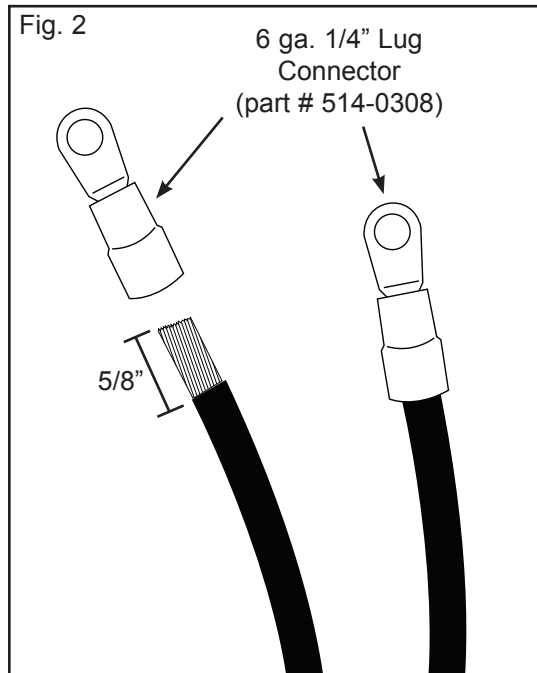


Fig. 2

Step 2. Attaching The Connectors (Motor)

- A. Split the molded 6 ga. wire approximately 4" and strip the ends about 5/8" down.
- B. Attach connectors (part # 514-0308) and crimp (Fig. 2).
- C. Attach black wire to Terminal # 1 on motor (Fig. 3).
- D. Attach red striped wire to Terminal # 2 on motor (Fig. 3).

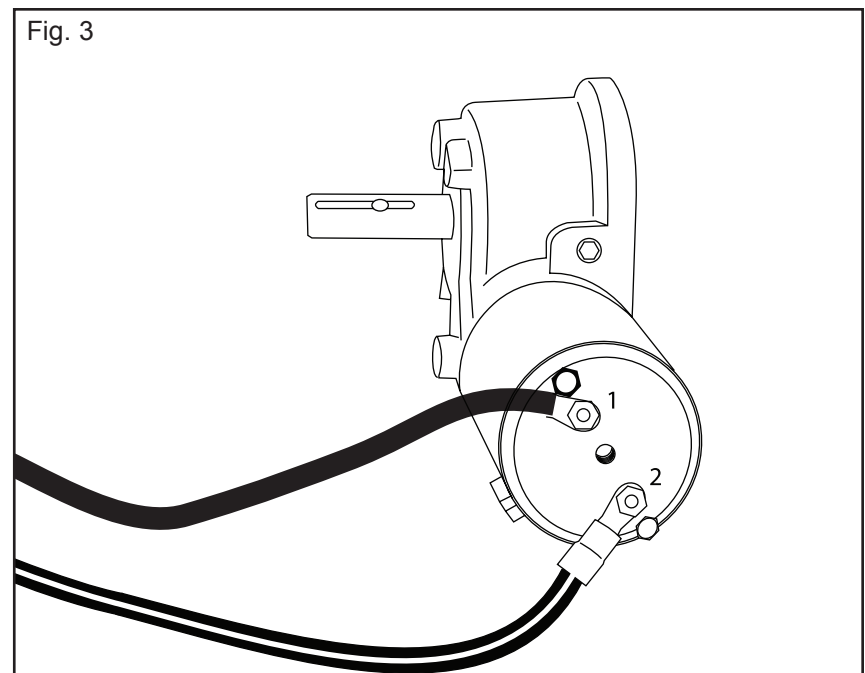
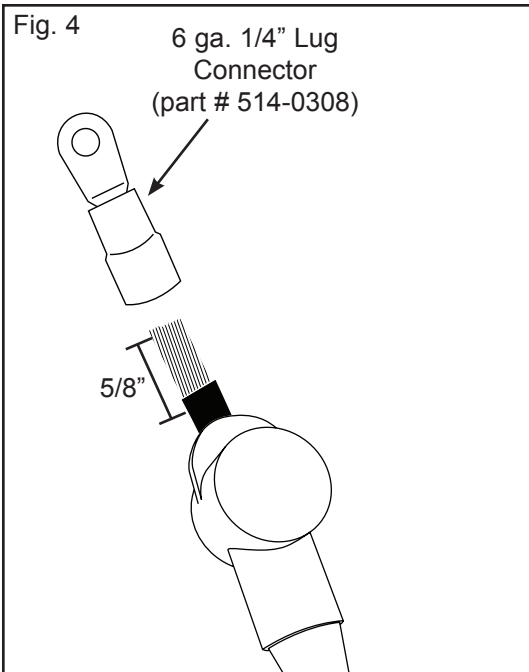


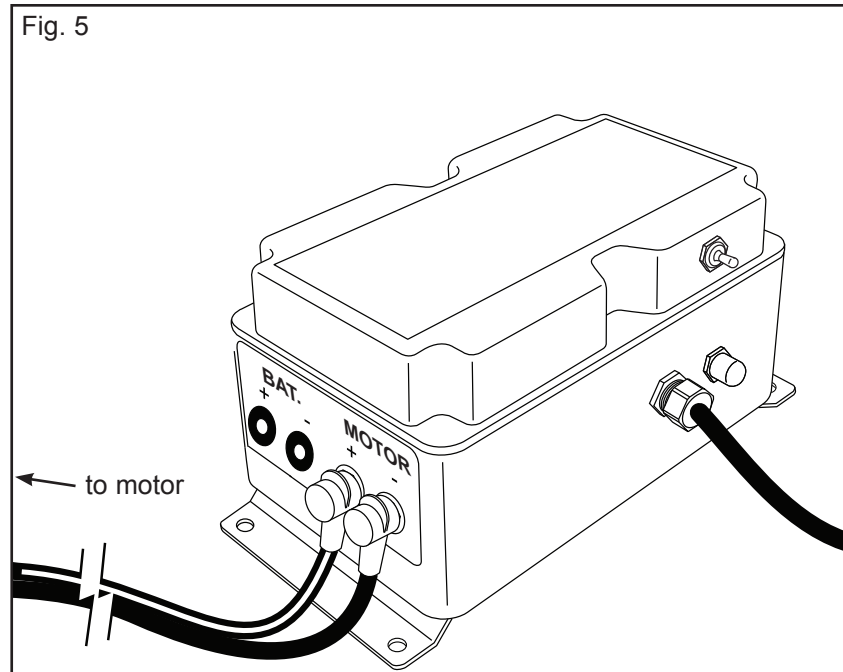
Fig. 3



Step 3.

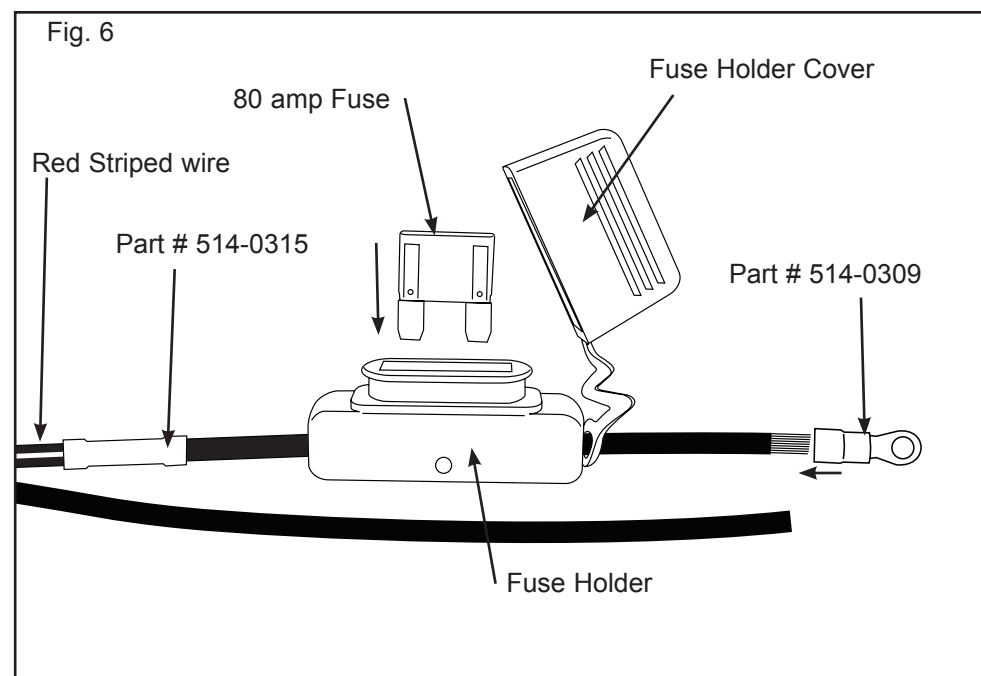
- A. Mount the Control Box near the battery.
- B. Split the 6 ga. wire at the Control Box about 4" back and slip on rubber boots - Red Boot (part # 514-0319) on red striped wire and Black Boot (part # 514-0317) on black wire (Fig. 4 & 5).
- C. Strip wire about 5/8" and attach connectors (part # 514-0308) (Fig. 4). Crimp Connectors.
- D. Attach Red Striped wire to Motor (+) and Black wire to Motor (-) on Control Box (Fig. 5).

Do not over tighten nuts on connections!



Step 4. Wiring the Fuse

- A. Cut a length of 6ga. duplex wire long enough to run from the battery to the Control Box.
- B. Split the duplex wire at the battery.
- C. Strip one end of the Red Striped wire about 5/8", and strip one end of the fuse holder wire about 5/8". Attach the 6 ga. Butt Connector (part # 514-0315) and crimp.
- D. Strip the other end of the fuse holder wire about 5/8" and attach the 6 ga. 3/8" terminal end (part # 514-0309) or the 6 ga. 1/4" terminal end (part # 514-0308), depending on the size of the terminal at the battery. Do not attach to positive (+) terminal on battery at this time.
- E. Install 80 amp fuse in fuse holder.
- F. Push the fuse holder cover over the fuse.



Step 5.

Strip the insulation off the end of the red and black wires far enough to fit the contacts for the heavy duty plugs. (Fig. 8)

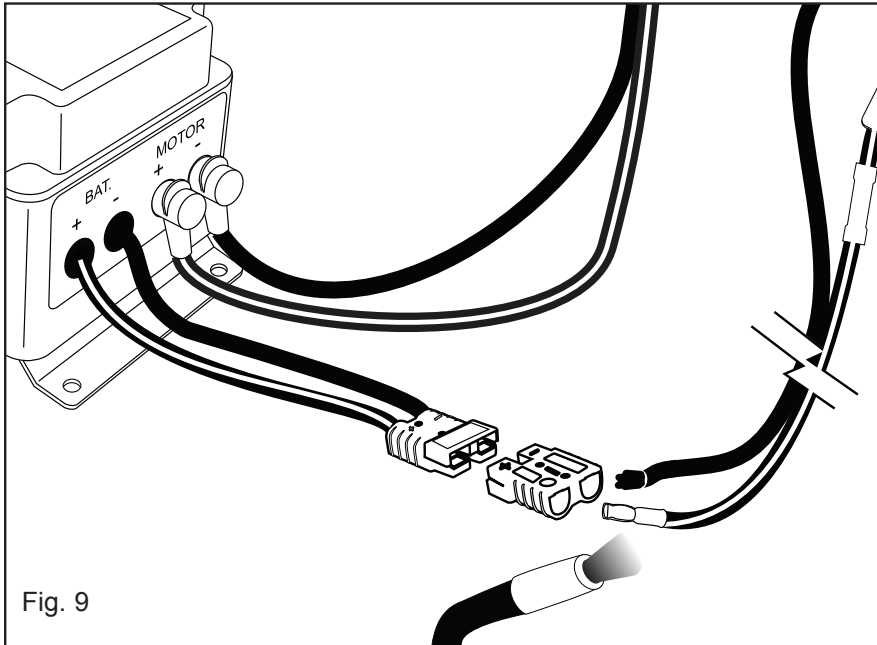
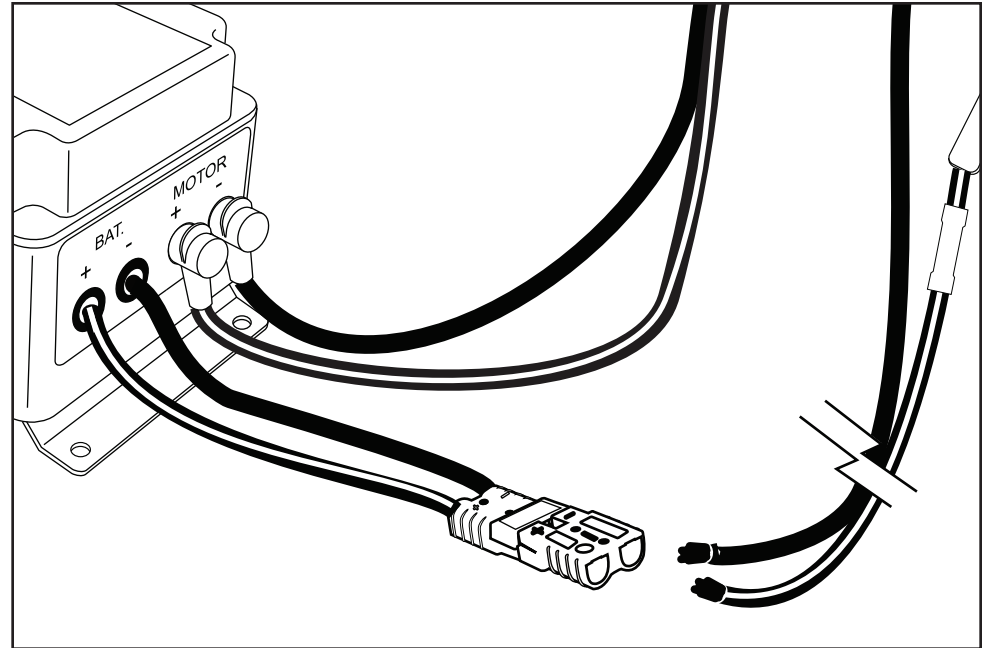


Fig. 9

Step 6.

Solder contacts to the ends of the wire. (Fig. 9-10)

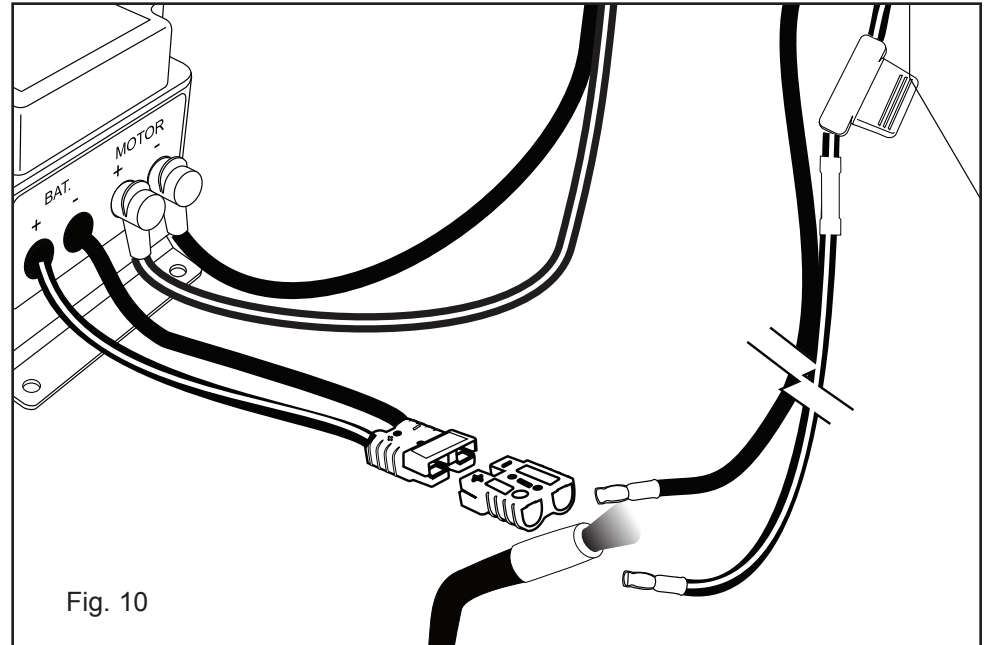


Fig. 10

Step 7.

Push contacts in the plugs from the back. Be sure that the contacts are inserted properly so that the spring tab in the plug locks the contact in place. (Fig. 11)

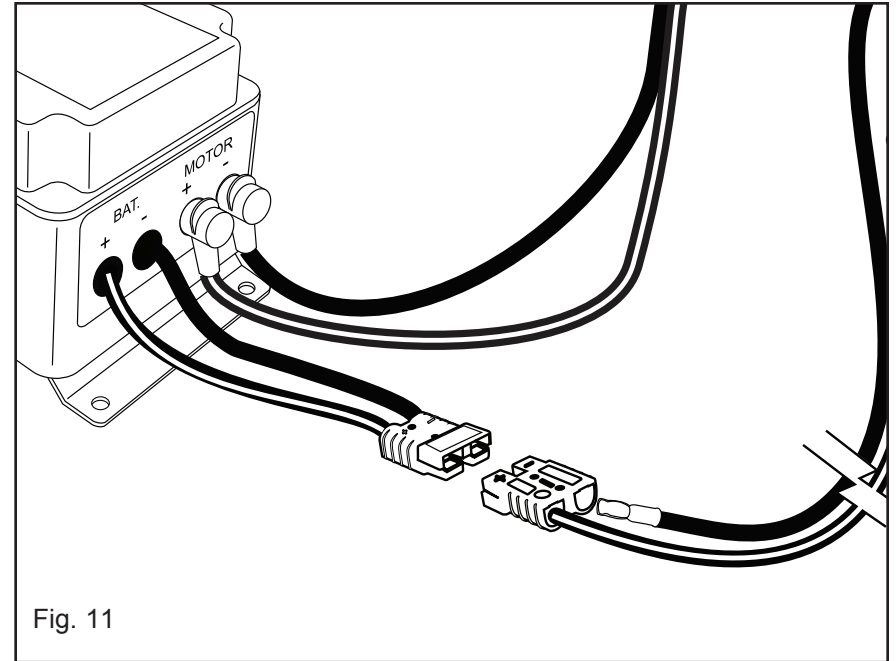
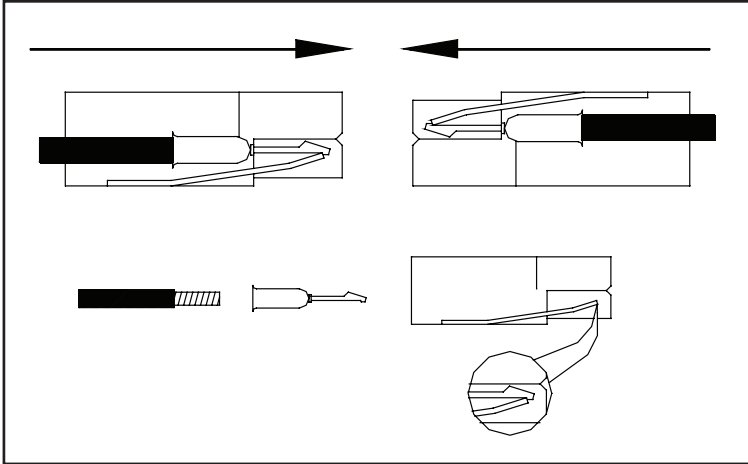


Fig. 11

Step 8. Wiring the Battery

- A. Connect the black 6 ga. wire to the negative terminal on the battery using a 6 ga. 3/8" terminal end (part # 514-0309) or 1/4" terminal end (part # 514-0309), depending on the size of the terminal at the battery. (Fig. 12).

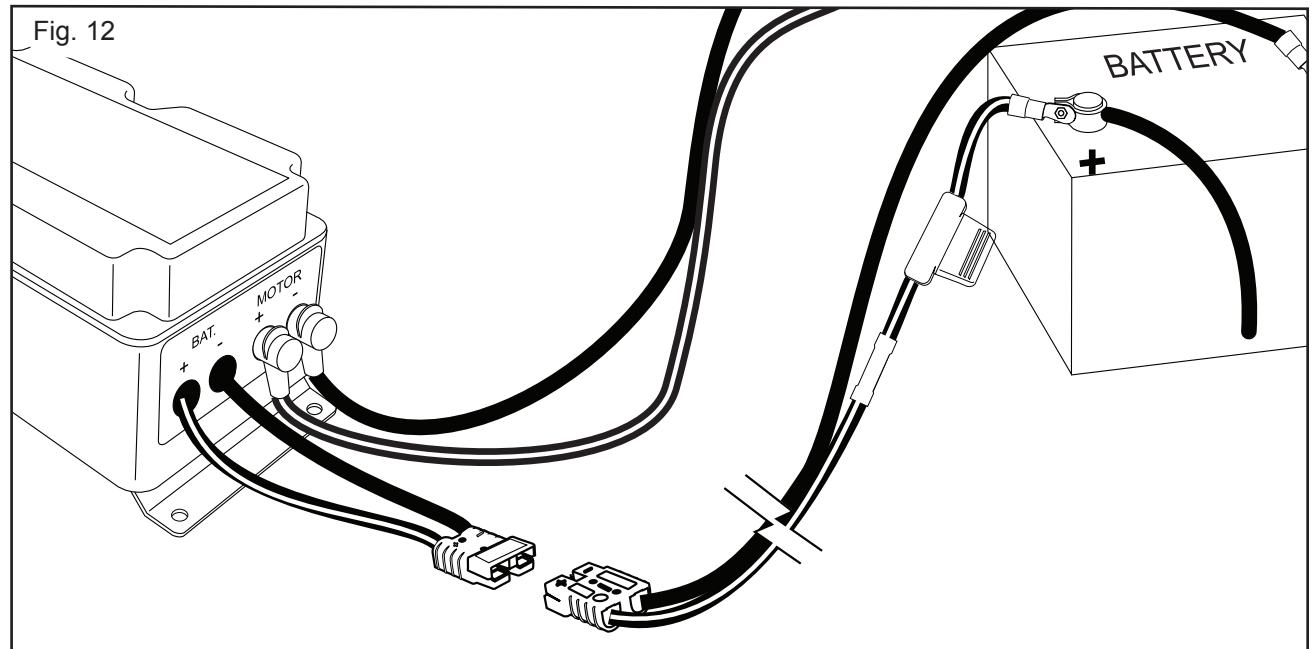


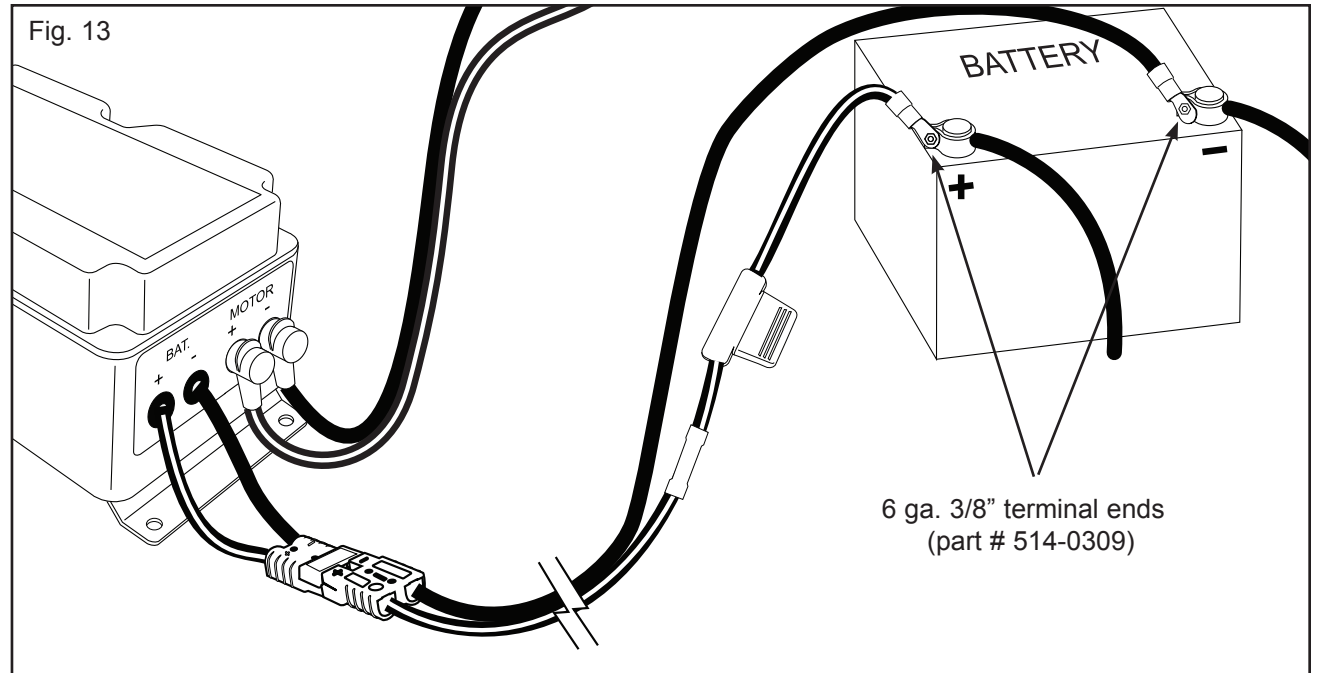
Fig. 12

Step 8. Wiring the Battery (Continued)

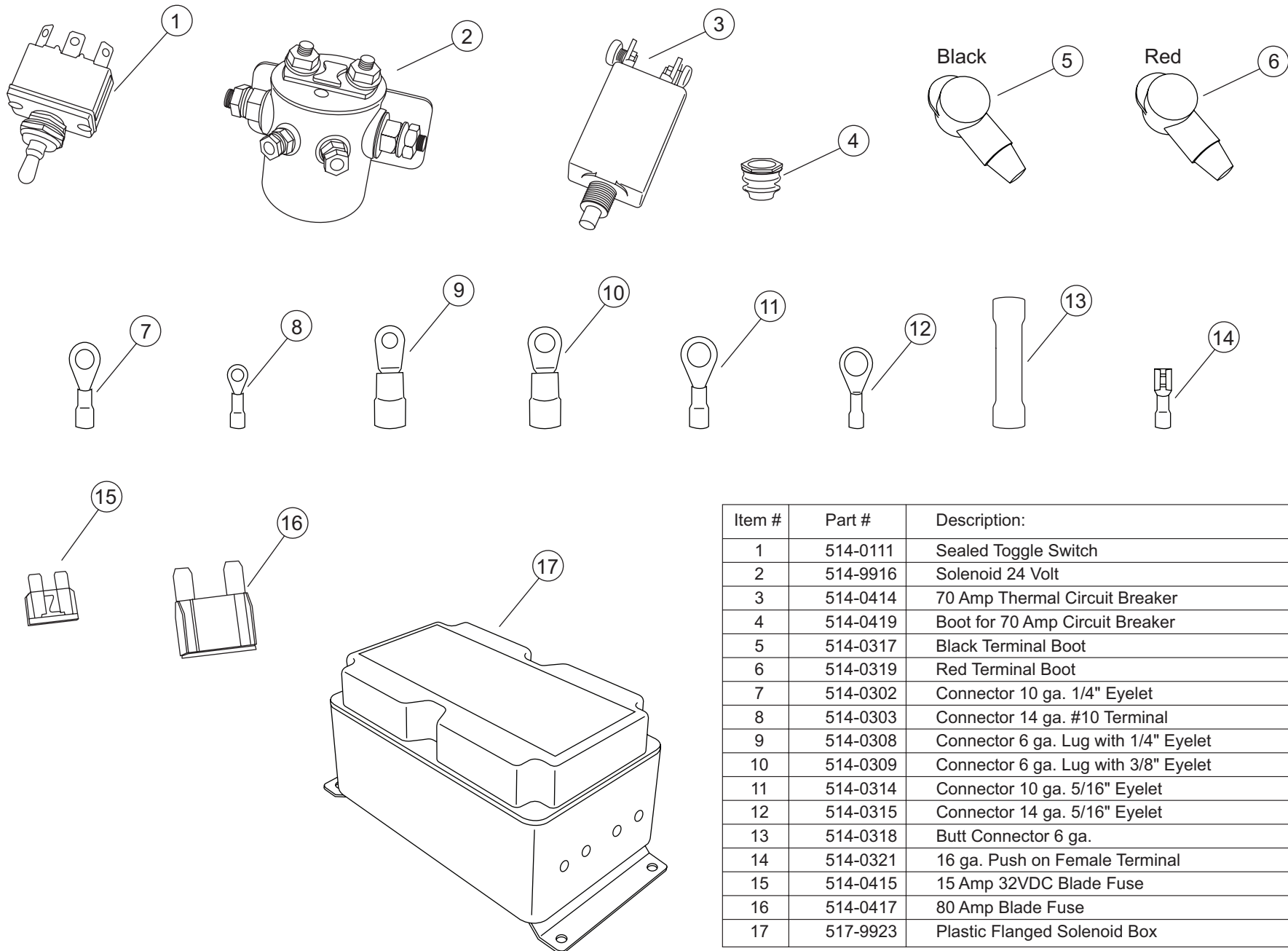
- B.** Connect the red striped 6 ga. wire to BAT (+) at the battery. Connect the heavy duty plug at the Smart Switch Box. (Fig. 13).

Warning: You must attach the black 6 ga. wire to the battery first, before attaching it to the box.

Note: If the system operates backwards then reverse the 6 ga. wires on the motor.



Smart Switch with External Switch - 24 volt (501-9949)



Item #	Part #	Description:	QTY:
1	514-0111	Sealed Toggle Switch	1
2	514-9916	Solenoid 24 Volt	2
3	514-0414	70 Amp Thermal Circuit Breaker	1
4	514-0419	Boot for 70 Amp Circuit Breaker	1
5	514-0317	Black Terminal Boot	2
6	514-0319	Red Terminal Boot	2
7	514-0302	Connector 10 ga. 1/4" Eyelet	6
8	514-0303	Connector 14 ga. #10 Terminal	4
9	514-0308	Connector 6 ga. Lug with 1/4" Eyelet	6
10	514-0309	Connector 6 ga. Lug with 3/8" Eyelet	2
11	514-0314	Connector 10 ga. 5/16" Eyelet	4
12	514-0315	Connector 14 ga. 5/16" Eyelet	2
13	514-0318	Butt Connector 6 ga.	1
14	514-0321	16 ga. Push on Female Terminal	3
15	514-0415	15 Amp 32VDC Blade Fuse	1
16	514-0417	80 Amp Blade Fuse	1
17	517-9923	Plastic Flanged Solenoid Box	1