



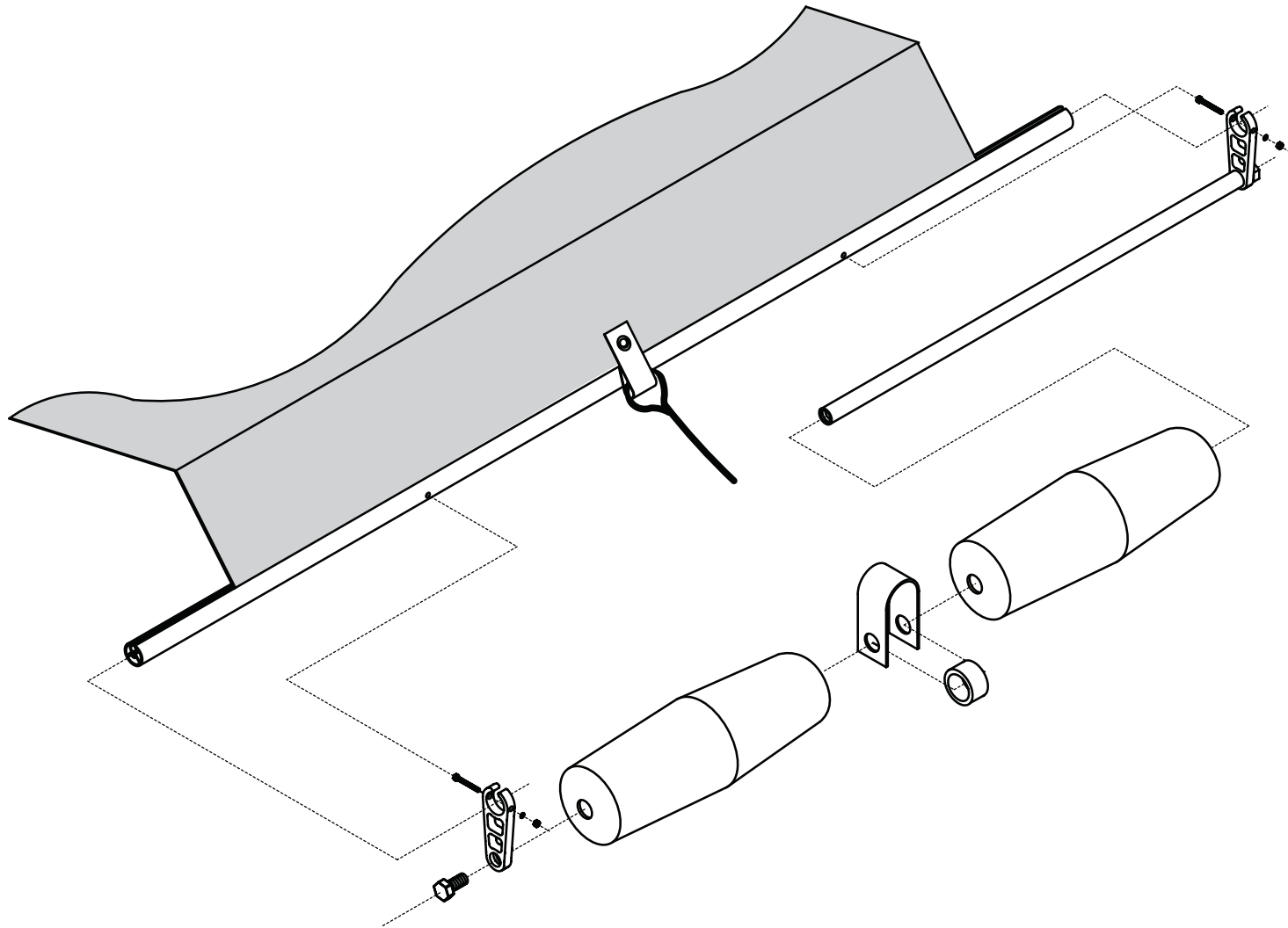
A Safe Fleet Brand



Installation Instructions

Optional Load Climber

501-0901 & 501-0913



607-0034

WLH 07/15/20



A Safe Fleet Brand



**Installation Instructions**

**Optional Load Climber**

**TABLE OF CONTENTS**

\*\*\*Parts & Tools\*\*\*

\*\*\*Assembly\*\*\*

**Tools & Parts**

Required Tools ..... 2

Optional Load Climber #501-0901 ..... 3

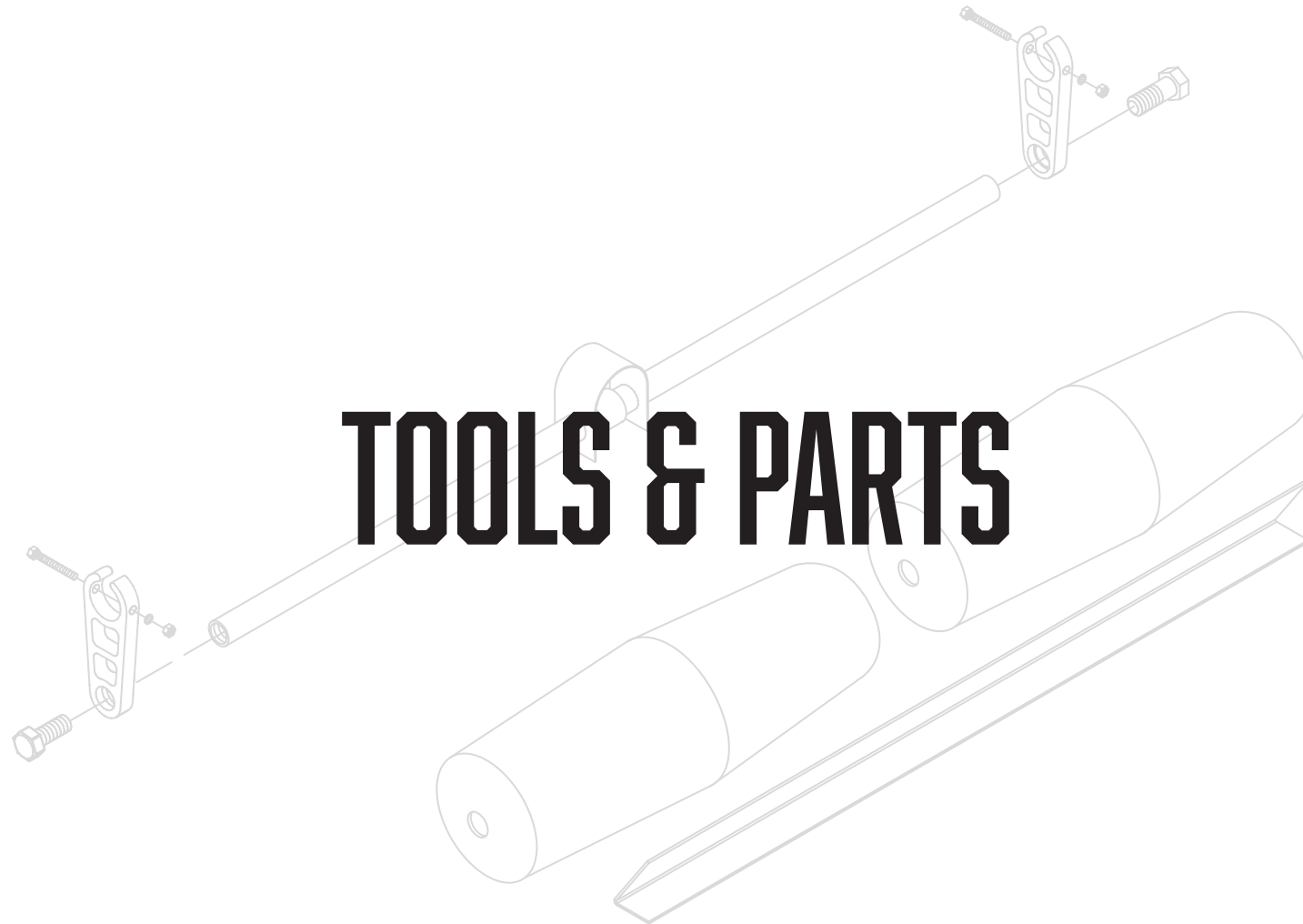
Optional Load Climber - Asphalt #501-0913 ..... 4

**Installation**

Optional Load Climber Assembly ..... 6-7



A Safe Fleet Brand





A Safe Fleet Brand



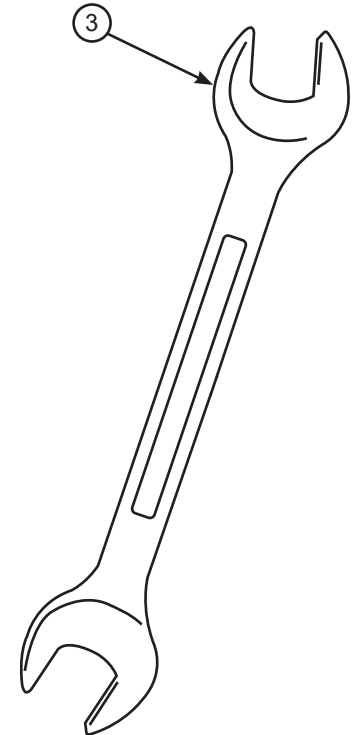
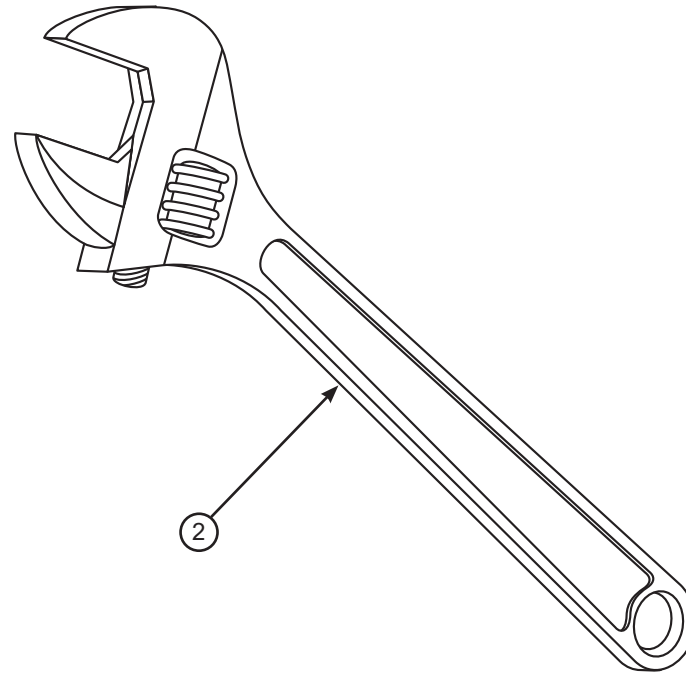
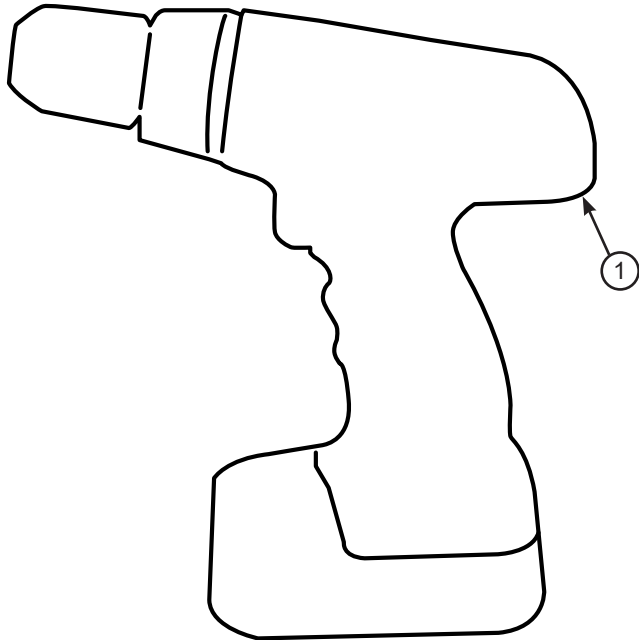
### Installation Instructions

Optional Load Climber

### Required Tools

ITEM	DESCRIPTION	QTY
1	Power Drill	1
2	Adjustable Wrench	1
3	3/4" Wrench	1

WLH 07/15/20





A Safe Fleet Brand



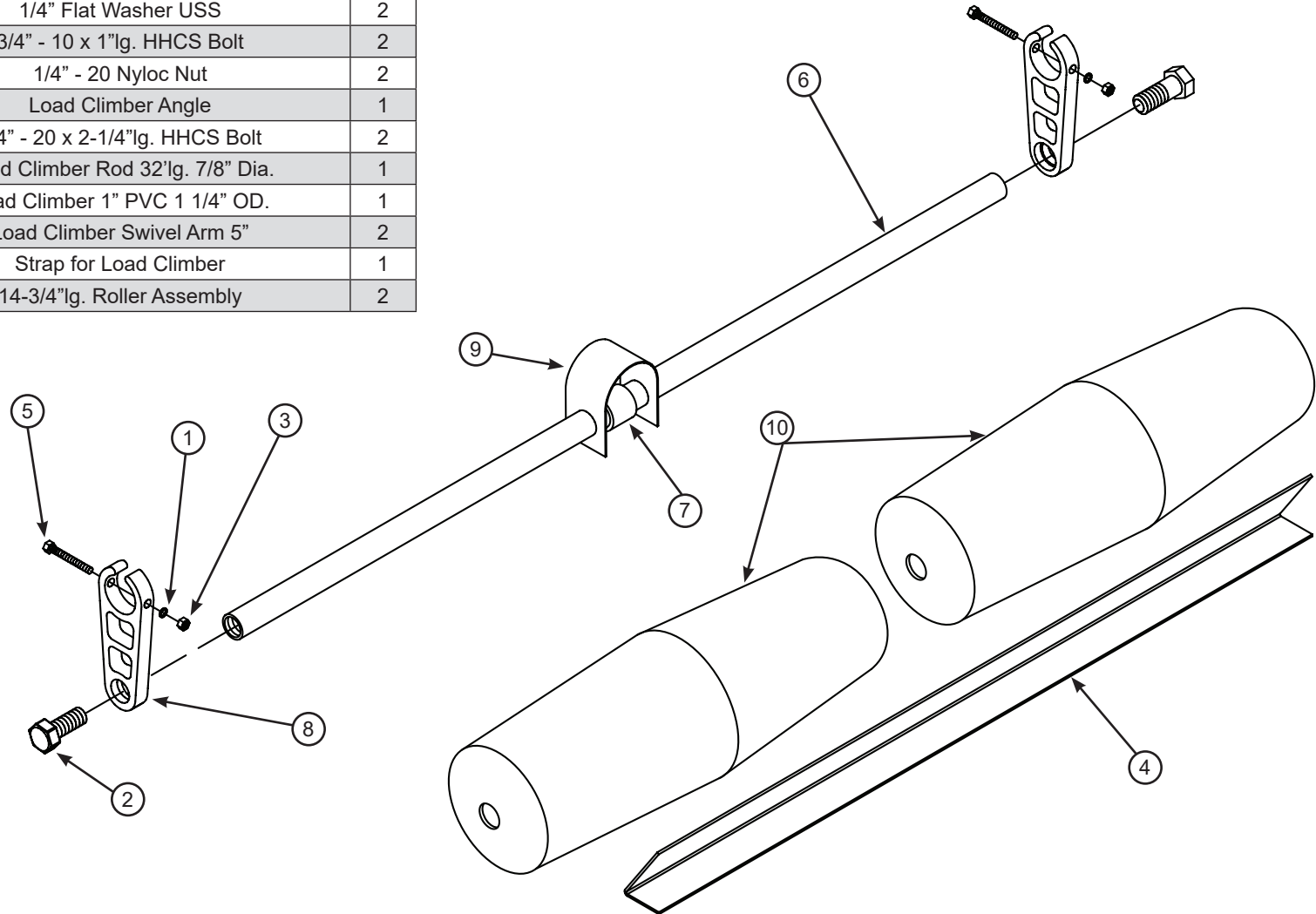
### Installation Instructions

### Optional Load Climber

### Optional Load Climber #501-0901

ITEM	PART #	DESCRIPTION	QTY
1	505-2502	1/4" Flat Washer USS	2
2	503-7501	3/4" - 10 x 1"lg. HHCS Bolt	2
3	504-2503	1/4" - 20 Nyloc Nut	2
4	501-0905	Load Climber Angle	1
5	503-2514	1/4" - 20 x 2-1/4"lg. HHCS Bolt	2
6	501-0902	Load Climber Rod 32"lg. 7/8" Dia.	1
7	501-0909	Load Climber 1" PVC 1 1/4" OD.	1
8	501-0903	Load Climber Swivel Arm 5"	2
9	501-0912	Strap for Load Climber	1
10	501-0910	14-3/4"lg. Roller Assembly	2

REV. 10/14/16 WLH





A Safe Fleet Brand



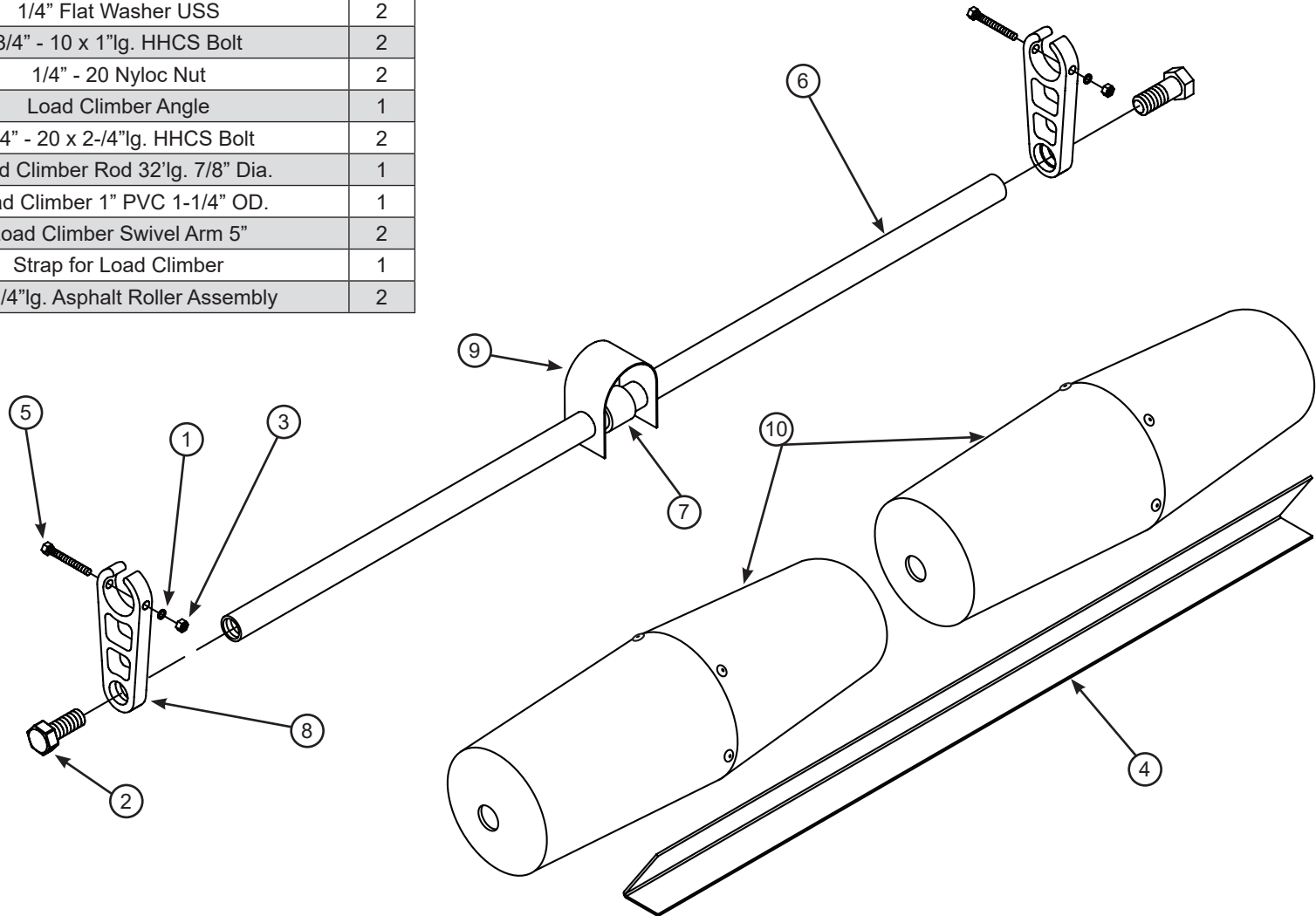
### Installation Instructions

Optional Load Climber

### Optional Load Climber - Asphalt #501-0913

ITEM	PART #	DESCRIPTION	QTY
1	505-2502	1/4" Flat Washer USS	2
2	503-7501	3/4" - 10 x 1"lg. HHCS Bolt	2
3	504-2503	1/4" - 20 Nyloc Nut	2
4	501-0905	Load Climber Angle	1
5	503-2514	1/4" - 20 x 2-1/4"lg. HHCS Bolt	2
6	501-0902	Load Climber Rod 32"lg. 7/8" Dia.	1
7	501-0909	Load Climber 1" PVC 1-1/4" OD.	1
8	501-0903	Load Climber Swivel Arm 5"	2
9	501-0912	Strap for Load Climber	1
10	501-0914	14-3/4"lg. Asphalt Roller Assembly	2

REV. 10/14/16 WLH





A Safe Fleet Brand

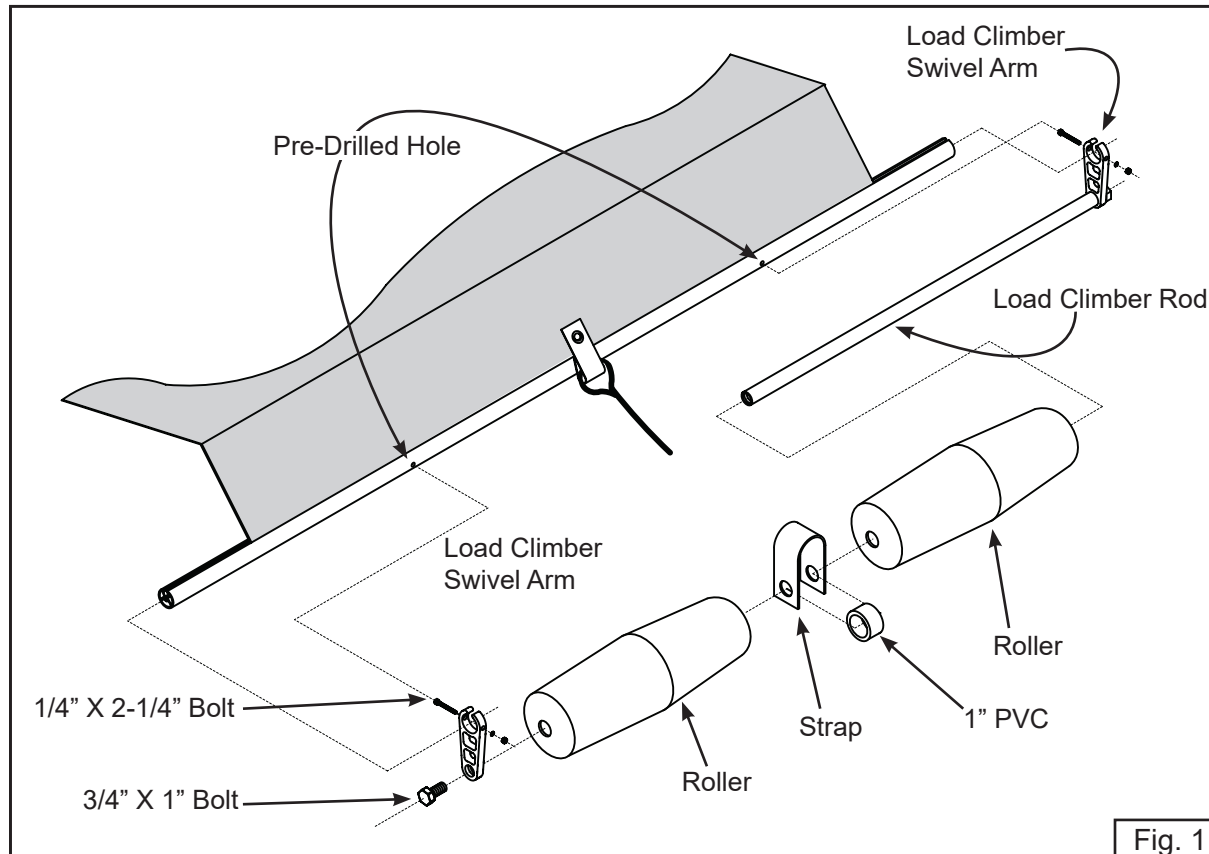




## Installation Instructions

## Optional Load Climber

### Optional Load Climber Assembly (Fig. 1)



**Step 1:** Slide the Load Climber Swivel Arm with Load Climber Rod attached on to Pullrod.

**Step 2:** Slide Rollers on to the Load Climber Rod with the Load Climber Strap and Load Climber 1" PVC spacer in between as illustrated below.

**Step 3:** Attach the Load Climber Swivel Arm to the Load Climber Rod using the 3/4" x 1" bolt provided.

**Note:** Hand tighten only at this time!

**Step 4:** Using the pre-drilled holes in the Pullrod, secure the Load Climber Swivel Arms in place using the 1/4" x 2-1/4" bolts provided. Start the bolts from the back (tailgate side).



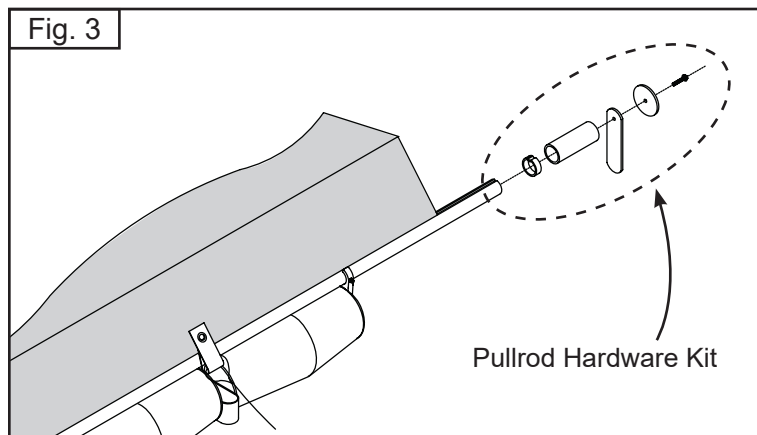
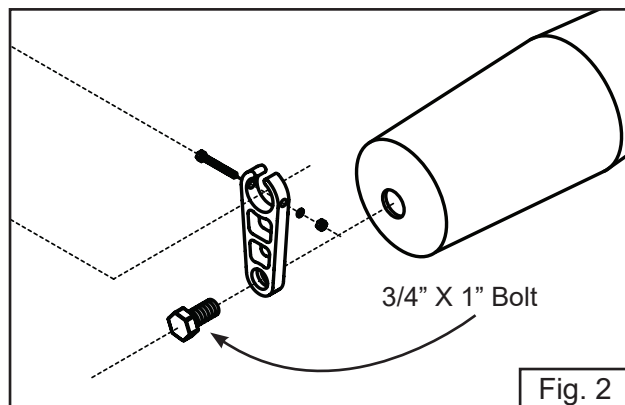


## Installation Instructions

## Optional Load Climber

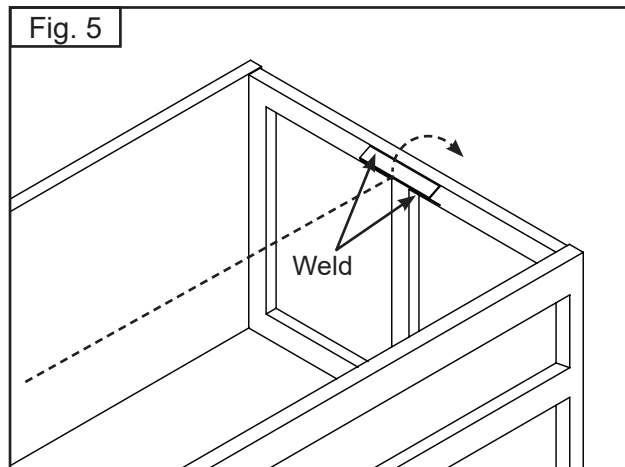
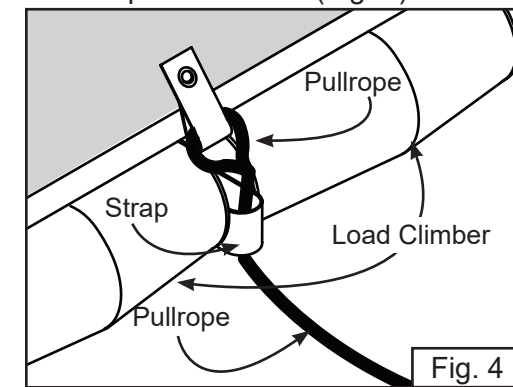
### Optional Load Climber Assembly

**Step 5:** Tighten 3/4" x 1" Bolts on each end of the Load Climber Rod at this time, making sure that rod remains parallel with the Pullrod (Fig. 2).

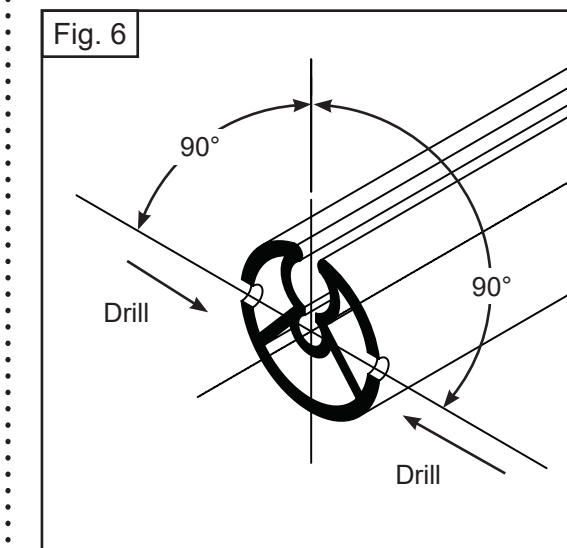


**Step 6:** Attach the Pullrod Hardware Kit to both ends of the Pullrod as illustrated (Fig. 3).

**Step 7:** The Pullrope should operate from the Tarp at the Pullrod and pass over the Load Climber and through the Strap as shown in (Fig. 4).



**Step 8:** Weld the Load Climber Angle to the tailgate in order for the Load Climber to clear the tailgate (Fig. 5).



### SPECIAL INSTRUCTIONS FOR RETRO-FITTING IN THE FIELD

**Step 1:** Using the Load Climber Swivel Arm as guide, drill the Pullrod halfway through from each side.

**Note:** Do not drill through the Pullrod in one pass. The hole must meet in the center so the attaching bolts will pass through the Load Climber Swivel Arm and Pullrod (Fig. 6).

**Step 2:** Secure the Load Climber Swivel Arm in place using the 1/4" x 2-1/4" bolts. Start the bolts from the back (Tailgate side).