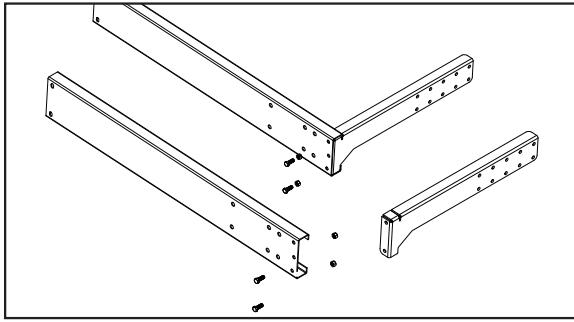


Front Frame Bracket 502-0103

607-0128

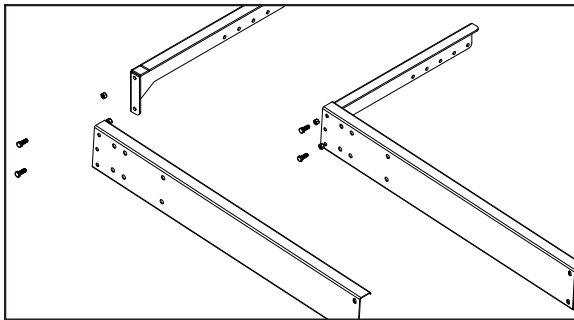


Read Instructions Carefully and Completely Before Starting



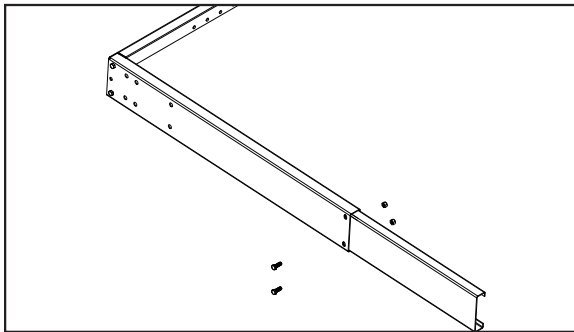
Step 1.

Bolt 24" Left Mount Bracket (502-0714) to the Outer Channel Mount (502-0170, driver's side) using two 3/8" bolts (503-3704) and nuts (504-3702) provided.



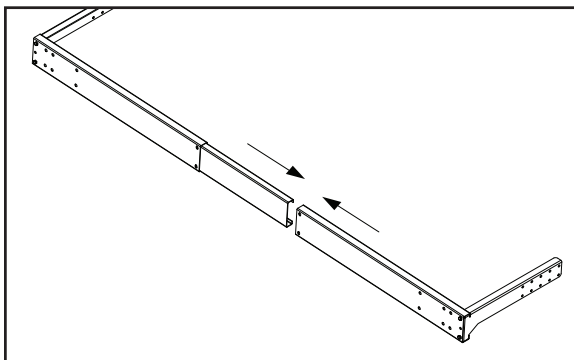
Step 2.

Bolt 24" Right Mount Bracket (502-0715) to the Outer Channel Mount (502-0171, passenger's side) using two 3/8" bolts (503-3704) and nuts (504-3702) provided.



Step 3.

Slide the Inner Channel Mount (502-0169) into the Outer Channel Mount (502-0171, passenger's side). Line up the holes and bolt in place using two 3/8" bolts (503-3704) and nuts (504-3702) provided.

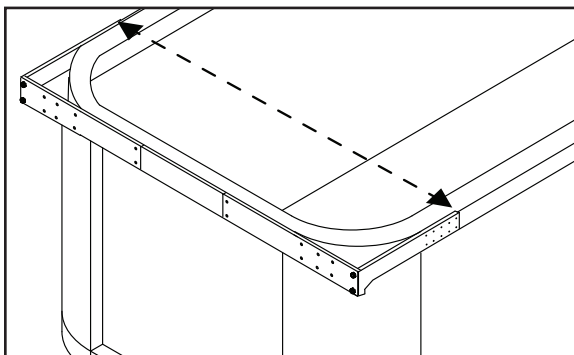


Step 4.

Measure the outside width of the trailer at the front where the bracket assembly will be mounted.

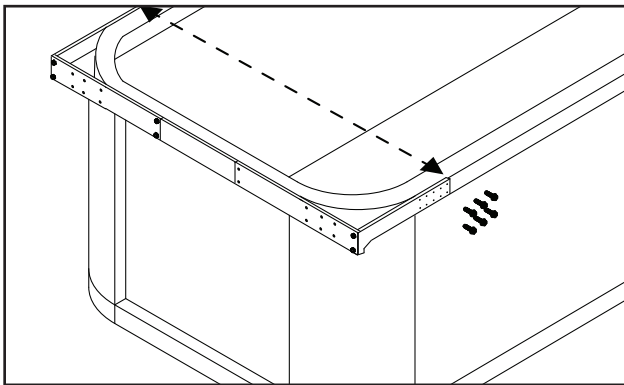
Step 5.

Slide the Outer Channel Mount (502-0170, driver's side) over the Inner Channel Mount (502-0169). Adjust the assembly so that the 24" Mount Brackets are the same distance apart as the width of the trailer. Clamp the Inner and Outer Channel Mounts together to hold in position.



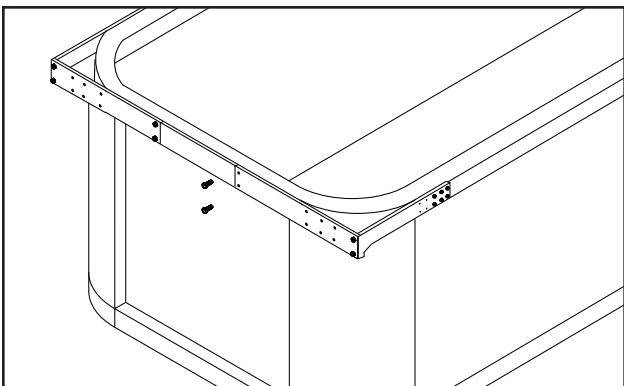
Step 6.

Place the front frame bracket assembly on the front of the trailer. Align the assembly making sure that the brackets are parallel to the trailer and each other. The entire assembly must be square to the trailer and level. Clamp in place.



Step 7.

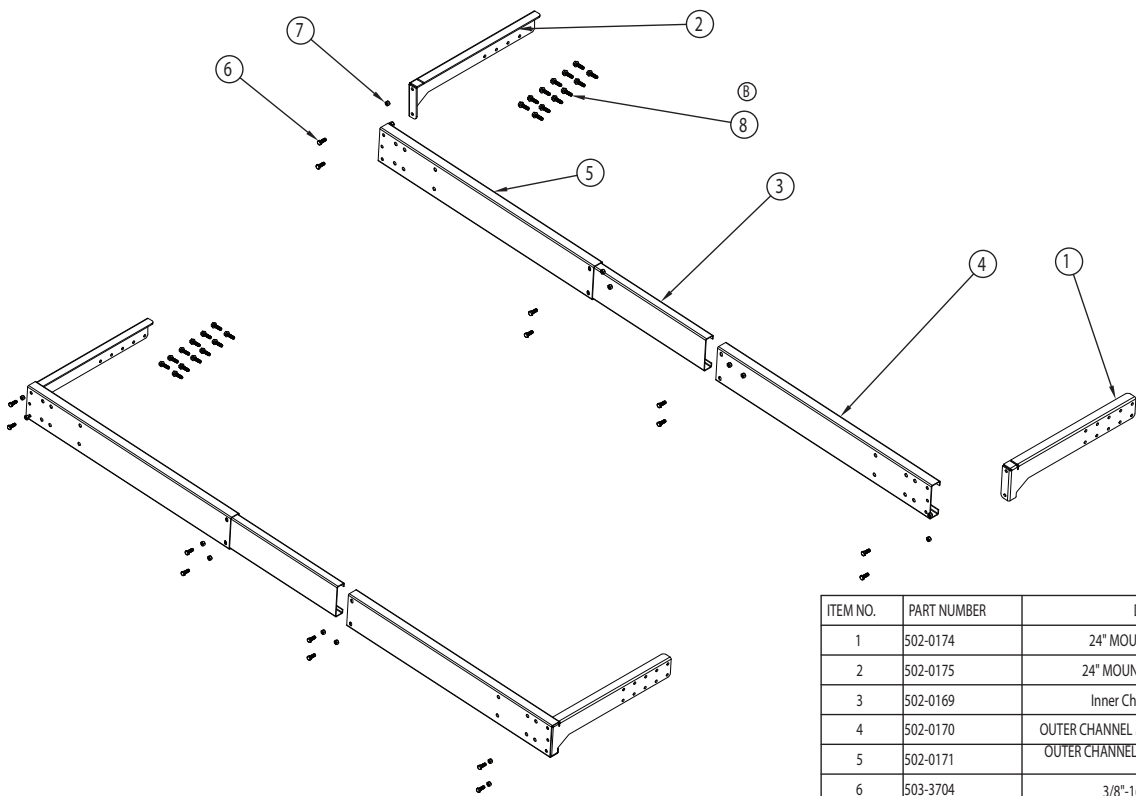
Weld or bolt the 24" Mount Brackets to the trailer. A 21/64 pilot hole must be drilled first when using the 3/8" - 16 x 1.25", (503-3705) self threading bolts that are provided. Six bolts per side are adequate for most installations.



Step 8.

Remove the clamp from step 5 and drill two 3/8" holes through the Inner Channel Mount on the driver's side using the holes in the Outer Channel mount as a guide. Line up the holes and bolt in place using two 3/8" bolts (503-3704) and nuts (504-3702) provided.

Assembly For Front Frame Bracket 502-0103



ITEM NO.	PART NUMBER	DESCRIPTION	QTY.
1	502-0174	24" MOUNT BRACKET LEFT	1
2	502-0175	24" MOUNT BRACKET RIGHT	1
3	502-0169	Inner Channel Mount TC	1
4	502-0170	OUTER CHANNEL MOUNT - TC - DRIVER	1
5	502-0171	OUTER CHANNEL MOUNT - TC - DRIVE PASSENGER	1
6	503-3704	3/8"-16 X 1" HHB BOLT	8
7	504-3702	NUT, 3/8-16 HEX NUT NYLOC ZINC PLT	8
8	503-3705	3/8"-16 X 1.25 TAP BOLT	12



1404 N. Marshall Ave. El Cajon, CA 92020
 For technical support call us at (800) 368-3075
 Office (619) 449-8860 / Fax (619) 449-3782